



OX SPREADER **BEAMS**

CAPACITY
9t - 1350t



OX SPREADER BEAMS

THE GREATEST CAPACITY IN THE MARKET

¿Do you need mobility and versatility in your movement of huge loads?

With OX spreader beams you have a complete modular range, that allows to assembly on the spot one or multiple spreader beams of 1 to 36 m. long and with 9 to 1350 tons capacity.

- Available in stock up to 170 tons for sale and rental.
- The Spreader beam is designed and manufactured in accordance with current norms.
- Reduced size and weight, that eases and reduces transportation, storage and installation costs.
- Easy and fast assembly, following the steps on the instructions manual.
- Economic product, replaces a whole range of spreader and beams.
- It is a modular system, you just have to add or remove sections in order to have a new spreader beam adjusted to your needs for any lifting work.
- For a lifting of multiple anchorage points you can combine spreader beams vertically or form a rectangle with the corners.
- All series can be delivered with shackles.
- Series with huge loads use wide body shackles to avoid any damage on the slings.

NEW VERSION 2.0

Greater total capacity and lengths (by size) than any other manufacturer certified by DNV.



INDEX

page 04
OX SPREADER BEAMS

page 05
SPREADER BEAM PARTS

page 06
WORKING ANGLES

page 07
CAPACITY TABLES

page 14
COMPONENT TABLES

page 20
POSSIBLE APPLICATIONS

page 22
CORNERS

page 23
CORNERS CAPACITY

page 31
CONE ADAPTERS



OX SPREADER BEAMS

MATERIAL

Structural steel and high elastic limit steel, supplied with quality certificate 3.1, are used for the manufacture of the spreader beams.

FINISH

The basic finishing of our products consists of Sa 2.5 sandblasting according to ISO 8501-1 standards. One layer of zinc phosphate epoxy primer with a thickness of 50 microns and two layers of polyurethane enamel colour RAL 2004. Other grades on request.

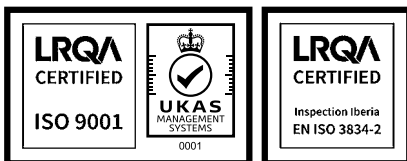
IN ACCORDANCE WITH

We comply with the provisions in the directives of the European Parliament and from the Council 2006/42/CE, on 17th May 2006, regarding the approach of several legislations of the member states on machinery and 2014/30/UE, on 26th February 2014, regarding the approach of several legislations of the member states about electromagnetic compatibility, and it has been manufactured in accordance with the following norms:

- **UNE-EN ISO 12100: 2012.** Safety of machinery - General principles for design - Risk assessment and risk reduction
- **UNE-EN 13155:2004+A2:2009.** Cranes. Security, static equipment for lifting loads.
- **UNE-EN ISO 3834-2:2006.** Quality requirements for fusion welding of metallic materials - Part 2: Comprehensive quality requirement

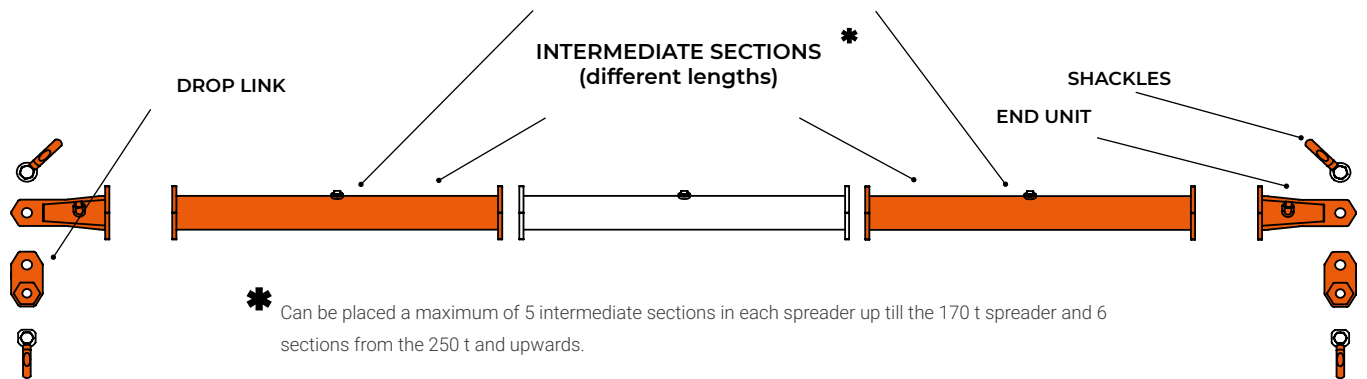
We have obtained **DNV-GL quality certification, for our Spreader Beams** from 9 tons to 1350 tons of load, a requirement that proves that we work with the highest quality standards.

- **Certificates DNV**
 - **DNV GL standard DNVGL-ST-0378**
Standard for offshore and platform lifting appliances
 - **DNV GL standard DNVGL-ST-0377**
Standard for shipboard lifting.



OX SPREADER SPECIFICATIONS

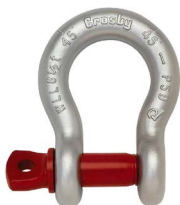
Lifting point (only for handling, never for loading)



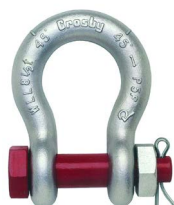
SHACKLES



MODEL	TOP	BOTTOM
SB-09	6,5 Bow	4,75 Bow
SB-17	12 Bow	8,5 Bow
SB-24	17 Bow	12 Bow
SB-34	25 Bow	17 Bow
SB-50	35 Bow	25 Bow
SB-70	55 Bow	35 Bow
SB-110	85 Bow	55 Bow
SB-110/170	120 Bow	85 Bow
SB-170	120 Bow	85 Bow
SB-170/250	200 Wide body	125 Wide body
SB-250	200 Wide body	125 Wide body
SB-250/400	300 Wide body	200 Wide body
SB-400	300 Wide body	200 Wide body
SB-400/600	400 Wide body	300 Wide body
SB-600	400 Wide body	300 Wide body
SB-600/800	500 Wide body	400 Wide body
SB-800	500 Wide body	400 Wide body
SB-1350	800 Wide body	700 Wide body



Bow Shackle



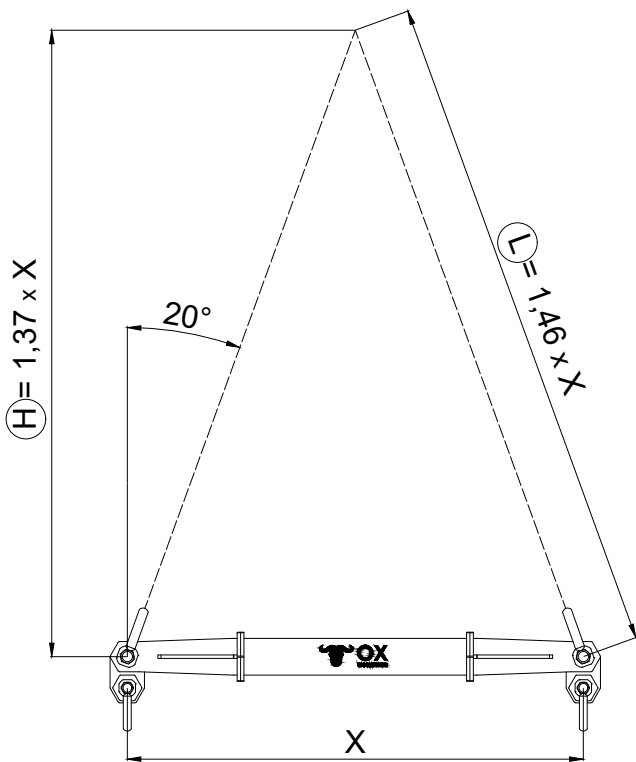
Bow Shackle Safety Pin



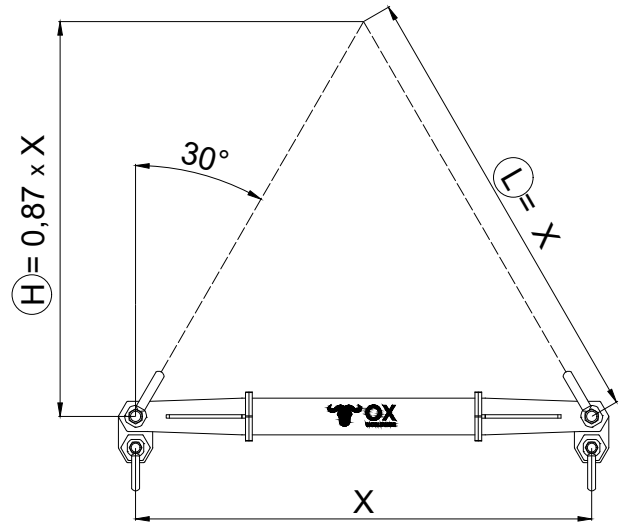
Wide Body Shackle

WORKING ANGLES / LOADS / LENGTHS

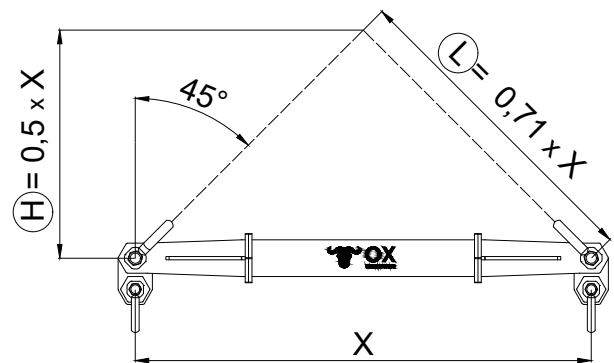
LOAD AT 20°



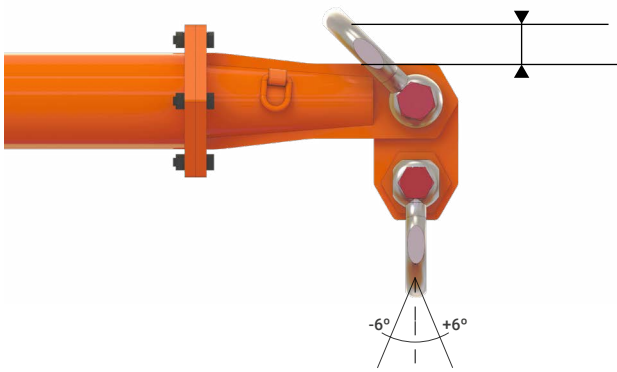
LOAD AT 30°



LOAD AT 45°



BE CAREFUL!!!



SEPARATION

Slings or hooks should never contact the spreader beam.

Bottom Angle

Slings angles in the bottom: never more than 6°

OX SPREADER BEAMS
CAPACITY
 TABLES

OX-SB09

SPAN (m)	0,5	1	2	3	4	5
45° WLL (t)	9	9	9	7,6	4,6	3
30° WLL (t)	9	9	9	9	7,6	5,2
20° WLL (t)	9	9	9	9	9	8

OX-SB17

SPAN (m)	0,5-4	5	6	7	8	9	10
45° WLL (t)	17	11	7	5	3,8	2,8	2,4
30° WLL (t)	17	17	12	8	6	4,7	4,2
20° WLL (t)	17	17	17	13	10	7,5	6,6

OX-SB24

SPAN (m)	0,5-4	5	6	7	8	9	10	11	12
45° WLL (t)	24	18	13	9	7	5,5	4,5	3,5	3
30° WLL (t)	24	24	24	15,5	12	9,5	7,5	6	5
20° WLL (t)	24	24	24	24	18	15	12	9	8

OX-SB34

SPAN (m)	1-5	6	7	8	9	10	11	12	13	14
45° WLL (t)	34	26	20	13	10	8	6,5	5,4	4,5	3,8
30° WLL (t)	34	34	33	22	17	14	11	9	7,5	6,5
20° WLL (t)	34	34	34	34	27	22	17,5	14,5	12	10

OX SPREADER BEAMS
CAPACITY
 TABLES

OX-SB50

SPAN (m)	1-7	8	9	10	11	12	13	14	15	16
45° WLL (t)	50	41	33	27	22	17	13	10	9	8
30° WLL (t)	50	50	50	46	38	29	22	17	15	14
20° WLL (t)	50	50	50	50	50	46	35	27	25	22

OX-SB70

SPAN (m)	1-9	10	11	12	13	14	15	16	17	18	19	20
45° WLL (t)	70	64	54	45	38	33	28	24	21	17	14	12
30° WLL (t)	70	70	70	70	65	57	48	41	36	29	24	21
20° WLL (t)	70	70	70	70	70	70	70	65	57	47	38	33

OX-SB70/110

SPAN (m)	1-6	7	8	9	10	11	12	13	14	15	16	17	18	19	20
45° WLL (t)	110	98	84	70	64	54	45	38	33	28	24	21	17	14	12
30° WLL (t)	110	110	110	110	110	93	76	65	57	48	41	36	29	24	21
20° WLL (t)	110	110	110	110	110	110	110	103	90	75	65	57	47	38	33

OX-SB110

SPAN (m)	2-10	11	12	13	14	15	16	17	18	19	20	21	22
45° WLL (t)	110	105	91	78	67	58	51	44	39	34	30	26	23
30° WLL (t)	110	110	110	110	110	100	88	76	67	58	51	45	40
20° WLL (t)	110	110	110	110	110	110	110	110	105	92	82	70	63

OX SPREADER BEAMS
CAPACITY
 TABLES

OX-SB110/170

SPAN (m)	2-7	8	9	10	11	12	13	14	15	16	17	18	19	20	21	22
45° WLL (t)	170	160	140	110	105	91	78	67	58	51	44	39	34	30	26	23
30° WLL (t)	170	170	170	170	170	155	135	110	100	88	76	67	58	51	45	40
20° WLL (t)	170	170	170	170	170	170	170	170	155	140	110	105	92	82	70	63

OX-SB170

SPAN (m)	2-11	12	13	14	15	16	17	18	19	20	21	22	23	24
45° WLL (t)	170	162	144	128	112	100	88	78	70	62	55	49	44	40
30° WLL (t)	170	170	170	170	170	170	152	134	120	107	95	84	75	68
20° WLL (t)	170	170	170	170	170	170	170	170	170	170	150	140	120	108

OX-SB170/250

SPAN (m)	2-8	9	10	11	12	13	14	15	16	17	18	19	20	21	22	23	24
45° WLL (t)	250	230	200	170	162	144	128	112	100	88	78	70	62	55	49	44	40
30° WLL (t)	250	250	250	250	250	240	220	190	170	152	134	120	107	95	84	75	68
20° WLL (t)	250	250	250	250	250	250	250	250	250	240	210	190	170	150	140	120	108

OX-SB250

SPAN (m)	2-15	16	17	18	19	20	21	22	23	24	25	26
45° WLL (t)	250	225	203	182	165	148	135	122	110	100	90	82
30° WLL (t)	250	250	250	250	250	250	230	210	190	172	155	140
20° WLL (t)	250	250	250	250	250	250	250	250	250	250	245	225

OX SPREADER BEAMS
CAPACITY
 TABLES

OX-SB250/400

SPAN (m)	2-9	10	11	12	13	14	15	16	17	18	19	20	21	22	23	24	25	26
45° WLL (t)	400	390	365	335	305	275	250	225	203	182	165	148	135	122	110	100	90	82
30° WLL (t)	400	400	400	400	400	400	400	385	350	310	280	250	230	210	190	172	155	140
20° WLL (t)	400	400	400	400	400	400	400	400	400	400	400	400	365	330	300	270	245	225

OX-SB400

SPAN (m)	2-18	19	20	21	22	23	24	25	26	27	28	29	30
45° WLL (t)	400	360	325	292	262	235	218	196	182	165	150	138	128
30° WLL (t)	400	400	400	400	400	400	376	338	314	285	258	238	220
20° WLL (t)	400	400	400	400	400	400	400	400	400	400	400	378	350

OX-SB400/600

SPAN (m)	2-14	15	16	17	18	19	20	21	22	23	24	25	26	27	28	29	30
45° WLL (t)	560	550	525	460	400	360	325	292	262	235	218	196	182	165	150	138	128
30° WLL (t)	600	600	600	600	600	600	560	500	450	400	376	338	314	285	258	238	220
20° WLL (t)	600	600	600	600	600	600	600	600	600	600	590	530	500	450	400	378	350

OX-SB600

SPAN (m)	3-17	18	19	20	21	22	23	24	25	26	27	28	29	30	31	32
45° WLL (t)	560	530	487	432	385	345	310	280	252	230	214	195	180	165	152	140
30° WLL (t)	600	600	600	600	600	590	535	484	436	398	370	337	310	285	262	240
20° WLL (t)	600	600	600	600	600	600	600	600	600	600	585	535	490	452	415	380

OX SPREADER BEAMS
CAPACITY
 TABLES

OX-SB800

SPAN (m)	3-19	20	21	22	23	24	25	26	27	28	29	30	31	32	33	34
45° WLL (t)	700	670	620	578	530	480	430	380	345	310	280	255	235	215	200	190
30° WLL (t)	800	800	800	800	800	800	744	655	596	535	482	440	405	370	345	328
20° WLL (t)	800	800	800	800	800	800	800	800	800	800	765	700	645	590	545	520

OX-SB1350

SPAN (m)	3-18	19	20	21	22	23	24	25	26	27	28	29	30	31	32	33	34	35	36
45° WLL (t)	1120	1050	1000	940	870	820	760	710	660	610	570	530	485	440	395	360	320	300	270
30° WLL (t)	1350	1350	1350	1350	1350	1350	1310	1220	1140	1050	985	915	835	760	680	620	550	510	465
20° WLL (t)	1350	1350	1350	1350	1350	1350	1350	1350	1350	1350	1350	1350	1320	1205	1080	980	870	820	740

DEMO-BOX CAPACITY TABLES

DEMO-BOX WLL 2 TON

The "Demo-box" is a case, transportable by one person, that contains everything necessary to assemble a Spreader Beam of 2t x 1000mm.

Demo-box dimensions: 500 x 420 x 125mm. Weight: 10 kg.



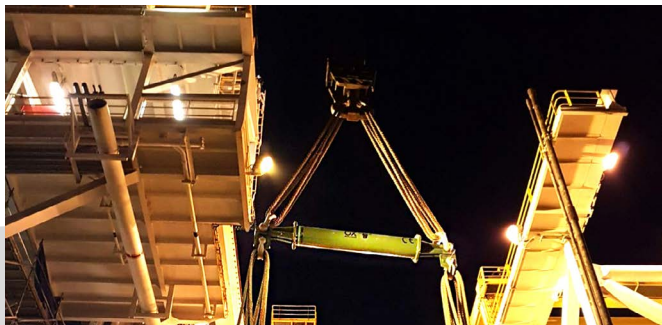
The maximum length that can be mounted with the components of the Demo-box is 1 meter. We can supply other sections to reach more length. Can be placed a maximum of 5 intermediate sections in each spreader.

CAPACITY TABLE

SPAN (m)	0,5	1	1,5	2	2,5
45° WLL (t)	2	2	2	1,15	0,75
30° WLL (t)	2	2	2	2	1,3
20° WLL (t)	2	2	2	2	2

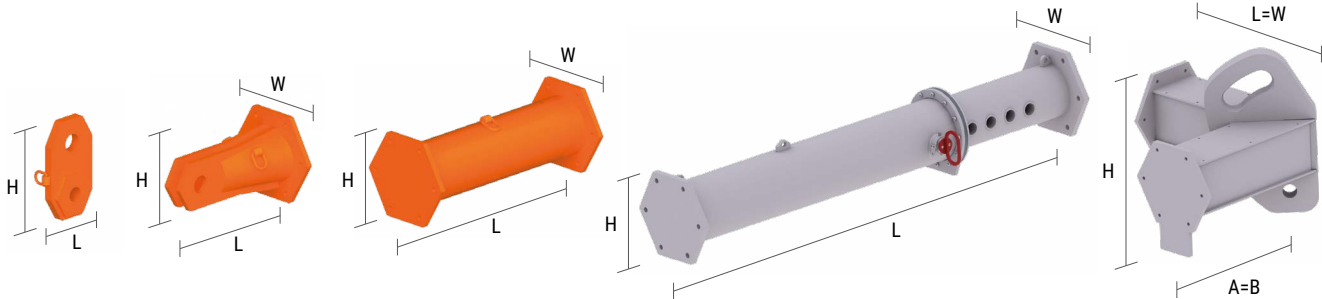
CODE	PARTS IN DEMO-BOX	DESCRIPTION	WEIGHT (kg)	DIMENSIONS L x W x H (mm)
80220002S010	1	OX-SB-02 Section 100mm	0,8	100 x 80 x 70
80220002S020	2	OX-SB-02 Section 200mm	1,3	200 x 80 x 70
80220002S030	1	OX-SB-02 Section 300mm	1,8	300 x 80 x 70
80220002S050		OX-SB-02 Section 500mm	2,7	500 x 80 x 70
80220002E	2	OX-SB-02 End unit 100mm	0,6	122 x 80 x 70
80220002D	2	OX-SB-02 Drop link	0,15	43 x 5 x 88
	2	2t - 1/2" Bow shackle (top)	0,35	
	2	1t - 3/8" Bow shackle (bottom)	0,15	
	1	OX-SB-02 Screws (boxes of 6 units)		DIN 912 M4 x 16 - 8.8
	1	Assembly tools kit		

OX SPREADER BEAMS PORTFOLIO



OX SPREADER BEAMS COMPONENT TABLES

9t - 1350t



Drop Link

End Unit

Section

Telescopic section

Corner

OX-SB9

OX-SB-VERSION 2.0

CODE	DESCRIPTION	WEIGHT (kg)	DIMENSIONS L x W x H (mm)
80220009S010	OX-SB-09 Section 100mm	4,4	100 x 160 x 140
80220009S030	OX-SB-09 Section 300mm	6,1	300 x 160 x 140
80220009S050	OX-SB-09 Section 500mm	7,8	500 x 160 x 140
80220009S100	OX-SB-09 Section 1000mm	12	1000 x 160 x 140
80220009S200	OX-SB-09 Section 2000mm	20,4	2000 x 160 x 140
80220009S300	OX-SB-09 Section 3000mm	28,7	3000 x 160 x 140
80220009E	OX-SB-09 End Unit 250mm	5,2	294 x 160 x 140
80220009D	OX-SB-09 Drop Link	1,4	88 x 24 x 161
-	6,5t - 7/8" Bow Shackle safety pin (top)	1,8	-
-	4,75t - 3/4" Bow Shackle safety pin (bottom)	1,2	-
-	OX-SB-09 Screws (boxes of 6 units)	-	DIN 931 M10 x 45 - 10.9

OX-SB17

CODE	DESCRIPTION	WEIGHT (kg)	DIMENSIONS L x W x H (mm)
80220017S025	OX-SB-17 Section 250mm	12,8	250 x 220 x 190
80220017S050	OX-SB-17 Section 500mm	16,4	500 x 220 x 190
80220017S100	OX-SB-17 Section 1000mm	23,2	1000 x 220 x 190
80220017S200	OX-SB-17 Section 2000mm	36,7	1000 x 220 x 190
80220017S300	OX-SB-17 Section 3000mm	50,1	3000 x 220 x 190
80220017S400	OX-SB-17 Section 4000mm	63,6	4000 x 220 x 190
80220017E	OX-SB-17 End Unit 250mm	10,2	310 x 220 x 190
80220017D	OX-SB-17 Drop Link	4,1	120 x 36 x 219
-	12t - 1 1/4" Bow Shackle safety pin (top)	5	-
-	8,5t - 1" Bow Shackle safety pin (bottom)	2,5	-
-	OX-SB-17 Screws (boxes of 6 units)	-	EN-14399 M12 x 60 - 10.9

Note: the weight of the shackles may change according to the manufacturer

COMPONENT TABLES

9t - 1350t

OX-SB24**OX-SB-VERSION 2.0**

CODE	DESCRIPTION	WEIGHT (kg)	DIMENSIONS L x W x H (mm)
80220024S050	OX-SB-24 Section 500mm	25	500 x 290 x 252
80220024S100	OX-SB-24 Section 1000mm	33,3	1000 x 290 x 252
80220024S200	OX-SB-24 Section 2000mm	50	2000 x 290 x 252
80220024S300	OX-SB-24 Section 3000mm	66,5	3000 x 290 x 252
80220024S400	OX-SB-24 Section 4000mm	83,1	4000 x 290 x 252
80220024E	OX-SB-24 End Unit 250mm	16,4	322 x 290 x 252
80220024D	OX-SB-24 Drop Link	7,3	144 x 45 x 260
-	17t - 1 1/2" bow shackle safety pin (top)	8,4	-
-	12t - 1 1/4" bow shackle safety pin (bottom)	5	-
-	OX-SB-24 Screws (boxes of 6 units)	-	EN-14399 M16 x 65 - 10.9

OX-SB34

CODE	DESCRIPTION	WEIGHT (kg)	DIMENSIONS L x W x H (mm)
80220034S050	OX-SB-34 Section 500mm	32,8	500 x 340 x 295
80220034S100	OX-SB-34 Section 1000mm	42,9	1000 x 340 x 295
80220034S200	OX-SB-34 Section 2000mm	63	2000 x 340 x 295
80220034S300	OX-SB-34 Section 3000mm	83,2	3000 x 340 x 295
80220034S400	OX-SB-34 Section 4000mm	103,3	4000 x 340 x 295
80220034E	OX-SB-34 End Unit 500mm	35,6	590 x 340 x 295
80220034D	OX-SB-34 Drop Link	12,6	172 x 54 x 313
-	25t - 1 3/4" Bow Shackle safety pin (top)	14,5	-
-	17t - 1 1/2" Bow Shackle safety pin (bottom)	8,4	-
-	OX-SB-34 Screws (boxes of 6 units)	-	EN-14399 M20 x 70 - 10.9

OX-SB50

CODE	DESCRIPTION	WEIGHT (kg)	DIMENSIONS L x W x H (mm)
80220050S050	OX-SB-50 Section 500mm	55,5	500 x 400 x 347
80220050S100	OX-SB-50 Section 1000mm	72	1000 x 400 x 347
80220050S200	OX-SB-50 Section 2000mm	105,1	2000 x 400 x 347
80220050S300	OX-SB-50 Section 3000mm	138,1	3000 x 400 x 347
80220050S400	OX-SB-50 Section 4000mm	171,2	4000 x 400 x 347
80220050S500	OX-SB-50 Section 5000mm	204,3	5000 x 400 x 347
80220050S600	OX-SB-50 Section 6000mm	237,3	6000 x 400 x 347
80220050E	OX-SB-50 End Unit 500mm	59	596 x 400 x 347
80220050D	OX-SB-50 Drop Link	17	192 x 66 x 355
-	35t - 2" Bow Shackle safety pin (top)	20	-
-	25t - 1 3/4" Bow Shackle safety pin (bottom)	14,5	-
-	OX-SB-50 Screws (boxes of 6 units)	-	EN-14399 M20 x 80 - 10.9

*On average, we have 30% more load capacity in the longer ones

COMPONENT TABLES

9t - 1350t

OX-SB70**OX-SB-VERSION 2.0**

CODE	DESCRIPTION	WEIGHT (kg)	DIMENSIONS L x W x H (mm)
80220070S050	OX-SB-70 Section 500mm	75,1	500 x 447 x 390
80220070S100	OX-SB-70 Section 1000mm	101,2	1000 x 447 x 390
80220070S200	OX-SB-70 Section 2000mm	153,5	2000 x 447 x 390
80220070S300	OX-SB-70 Section 3000mm	205,8	3000 x 447 x 390
80220070S400	OX-SB-70 Section 4000mm	258,1	4000 x 447 x 390
80220070S500	OX-SB-70 Section 5000mm	310,4	5000 x 447 x 390
80220070S600	OX-SB-70 Section 6000mm	362,6	6000 x 447 x 390
80220070E	OX-SB-70 End Unit 500mm	85,7	624 x 447 x 390
80220070D	OX-SB-70 Drop Link	35,8	247 x 76 x 448
-	55t - 2 1/2" Bow Shackle safety pin (top)	40	-
-	35t - 2" Bow Shackle safety pin (bottom)	20	-
-	OX-SB-70 Screws (boxes of 6 units)	-	EN-14399 M20 x 80 - 10.9

OX-SB110

CODE	DESCRIPTION	WEIGHT (kg)	DIMENSIONS L x W x H (mm)
80220110S050	OX-SB-110 Section 500mm	110,4	500 x 497 x 433
80220110S100	OX-SB-110 Section 1000mm	149,1	1000 x 497 x 433
80220110S200	OX-SB-110 Section 2000mm	226,5	2000 x 497 x 433
80220110S300	OX-SB-110 Section 3000mm	303,9	3000 x 497 x 433
80220110S400	OX-SB-110 Section 4000mm	381,3	4000 x 497 x 433
80220110S500	OX-SB-110 Section 5000mm	458,7	5000 x 497 x 433
80220110S600	OX-SB-110 Section 6000mm	536,1	6000 x 497 x 433
80220110E	OX-SB-110 End Unit 1000mm	210,5	1152 x 497 x 433
80220110D	OX-SB-110 Drop Link	63,8	303 x 90 x 541
-	85t - 3" Bow Shackle safety pin (top)	62	-
-	55t - 2 1/2" Bow Shackle safety pin (bottom)	40	-
-	OX-SB-110 Screws (boxes of 6 units)	-	EN-14399 M20 x 90 - 10.9

OX-SB110/170

CODE	DESCRIPTION	WEIGHT (kg)	DIMENSIONS L x W x H (mm)
80220110S050	OX-SB-110 Section 500mm	110,4	500 x 497 x 433
80220110S100	OX-SB-110 Section 1000mm	149,1	1000 x 497 x 433
80220110S200	OX-SB-110 Section 2000mm	226,5	2000 x 497 x 433
80220110S300	OX-SB-110 Section 3000mm	303,9	3000 x 497 x 433
80220110S400	OX-SB-110 Section 4000mm	381,3	4000 x 497 x 433
80220110S500	OX-SB-110 Section 5000mm	458,7	5000 x 497 x 433
80220110S600	OX-SB-110 Section 6000mm	536,1	6000 x 497 x 433
80220110170E	OX-SB-110/170 End Unit 1000mm	263	1171 x 497 x 433
80220170D	OX-SB-170 Drop Link	94	342 x 115 x 610
-	120t - 3 1/2" Bow Shackle safety pin (top)	110	-
-	85t - 3" Bow Shackle safety pin (bottom)	62	-
-	OX-SB-110 Screws (boxes of 6 units)	-	EN-14399 M20 x 90 - 10.9

*On average, we have 30% more load capacity in the longer ones

COMPONENT TABLES

9t - 1350t

OX-SB170**OX-SB-VERSION2.0**

CODE	DESCRIPTION	WEIGHT (kg)	DIMENSIONS L x W x H (mm)
80220170S050	OX-SB-170 Section 500mm	160,8	500 x 617 x 537
80220170S100	OX-SB-170 Section 1000mm	209,7	1000 x 617 x 537
80220170S200	OX-SB-170 Section 2000mm	307,4	2000 x 617 x 537
80220170S300	OX-SB-170 Section 3000mm	405,2	3000 x 617 x 537
80220170S400	OX-SB-170 Section 4000mm	503	4000 x 617 x 537
80220170S500	OX-SB-170 Section 5000mm	600,7	5000 x 617 x 537
80220170S600	OX-SB-170 Section 6000mm	698,5	6000 x 617 x 537
80220170E	OX-SB-170 End Unit 1000mm	305,8	1171 x 617 x 537
80220170D	OX-SB-170 Drop Link	94	342 x 115 x 610
-	120t - 3 1/2" Bow Shackle safety pin (top)	110	-
-	85t - 3" Bow Shackle safety pin (bottom)	62	-
-	OX-SB-170 Screws (boxes of 6 units)	-	EN-14399 M20 x 90 - 10.9

OX-SB170/250

CODE	DESCRIPTION	WEIGHT (kg)	DIMENSIONS L x W x H (mm)
80220170S050	OX-SB-170 Section 500mm	160,8	500 x 617 x 537
80220170S100	OX-SB-170 Section 1000mm	209,7	1000 x 617 x 537
80220170S200	OX-SB-170 Section 2000mm	307,4	2000 x 617 x 537
80220170S300	OX-SB-170 Section 3000mm	405,2	3000 x 617 x 537
80220170S400	OX-SB-170 Section 4000mm	503	4000 x 617 x 537
80220170S500	OX-SB-170 Section 5000mm	600,7	5000 x 617 x 537
80220170S600	OX-SB-170 Section 6000mm	698,5	6000 x 617 x 537
80220170250E	OX-SB-170/250 End Unit 1000mm	360	1198 x 617 x 537
80220250D	OX-SB-250 Drop Link	135,5	395 x 115 x 725
-	200t Wide body shackle (top) recommended, but optional	183	-
-	125t Wide body shackle (bottom) recommended, but optional	84	-
-	OX-SB-170 Screws (boxes of 6 units)	-	EN-14399 M20 x 90 - 10.9

OX-SB250

CODE	DESCRIPTION	WEIGHT (kg)	DIMENSIONS L x W x H (mm)
0220250S050	OX-SB-250 Section 500mm	276,6	500 x 772 x 672
80220250S100	OX-SB-250 Section 1000mm	353	1000 x 772 x 672
80220250S200	OX-SB-250 Section 2000mm	505,7	2000 x 772 x 672
80220250S300	OX-SB-250 Section 3000mm	658,4	3000 x 772 x 672
80220250S400	OX-SB-250 Section 4000mm	811,2	4000 x 772 x 672
80220250S500	OX-SB-250 Section 5000mm	964	5000 x 772 x 672
80220250S600	OX-SB-250 Section 6000mm	1116,7	6000 x 772 x 672
80220250E	OX-SB-250 End Unit 1000mm	435	1200 x 772 x 672
80220250D	OX-SB-250 Drop Link	135,5	395 x 115 x 725
-	200t Wide body shackle (top) recommended, but optional	183	-
-	125t Wide body shackle (bottom) recommended, but optional	84	-
-	OX-SB-250 Screws (boxes of 12 units)	-	EN-14399 M24 x 100 - 10.9

COMPONENT TABLES

9t - 1350t

OX-SB250/400**OX-SB-VERSION 2.0**

CODE	DESCRIPTION	WEIGHT (kg)	DIMENSIONS L x W x H (mm)
80220250S050	OX-SB-250 Section 500mm	276,6	500 x 772 x 672
80220250S100	OX-SB-250 Section 1000mm	353	1000 x 772 x 672
80220250S200	OX-SB-250 Section 2000mm	505,7	2000 x 772 x 672
80220250S300	OX-SB-250 Section 3000mm	658,4	3000 x 772 x 672
80220250S400	OX-SB-250 Section 4000mm	811,2	4000 x 772 x 672
80220250S500	OX-SB-250 Section 5000mm	964	5000 x 772 x 672
80220250S600	OX-SB-250 Section 6000mm	1116,7	6000 x 772 x 672
80220250400E	OX-SB-250/400 End Unit 1000mm	578	1254 x 772 x 672
80220400D	OX-SB-400 Drop Link	250	508 x 140 x 906
-	300t Wide body shackle (top) recommended, but optional	362	-
-	200t Wide body shackle (bottom) recommended, but optional	183	-
-	OX-SB-250 Screws (boxes of 12 units)	-	EN-14399 M24 x 100 - 10.9

OX-SB400

CODE	DESCRIPTION	WEIGHT (kg)	DIMENSIONS L x W x H (mm)
80220400S50	OX-SB-400 Section 500mm	452,9	500 x 937 x 814
80220400S100	OX-SB-400 Section 1000mm	570	1000 x 937 x 814
80220400S200	OX-SB-400 Section 2000mm	804,5	2000 x 937 x 814
80220400S300	OX-SB-400 Section 3000mm	1038,8	3000 x 937 x 814
80220400S400	OX-SB-400 Section 4000mm	1273,2	4000 x 937 x 814
80220400S500	OX-SB-400 Section 5000mm	1507,6	5000 x 937 x 814
80220400S600	OX-SB-400 Section 6000mm	1742	6000 x 937 x 814
80220400E	OX-SB-400 End Unit 1000mm	696	1254 x 937 x 814
80220400D	OX-SB-400 Drop Link	250	508 x 140 x 906
-	300t wide body shackle (top) recommended, but optional	362	-
-	200t Wide body shackle (bottom) recommended, but optional	183	-
-	OX-SB-400 Screws (boxes of 18 units)	-	EN-14399 M24 x 110 - 10.9

OX-SB400/600

CODE	DESCRIPTION	WEIGHT (kg)	DIMENSIONS L x W x H (mm)
80220400S50	OX-SB-400 Section 500mm	452,9	500 x 937 x 814
80220400S100	OX-SB-400 Section 1000mm	570	1000 x 937 x 814
80220400S200	OX-SB-400 Section 2000mm	804,5	2000 x 937 x 814
80220400S300	OX-SB-400 Section 3000mm	1038,8	3000 x 937 x 814
80220400S400	OX-SB-400 Section 4000mm	1273,2	4000 x 937 x 814
80220400S500	OX-SB-400 Section 5000mm	1507,6	5000 x 937 x 814
80220400S600	OX-SB-400 Section 6000mm	1742	6000 x 937 x 814
80220400600E	OX-SB-400/600 End Unit 1000mm	820	1285 x 937 x 814
80220600D	OX-SB-600 Drop Link	392	571 x 170 x 1020
-	400t wide body shackle (top) recommended, but optional	635	-
-	300t Wide body shackle (bottom) recommended, but optional	362	-
-	OX-SB-400 Screws (boxes of 18 units)	-	EN-14399 M24 x 110 - 10.9

COMPONENT TABLES

9t - 1350t

OX-SB600**OX-SB-VERSION 2.0**

CODE	DESCRIPTION	WEIGHT (kg)	DIMENSIONS L x W x H (mm)
80220600S050	OX-SB-600 Section 500mm	512	500 x 947 x 825
80220600S100	OX-SB-600 Section 1000mm	639,1	1000 x 947 x 825
80220600S200	OX-SB-600 Section 2000mm	893,4	2000 x 947 x 825
80220600S300	OX-SB-600 Section 3000mm	1147,7	3000 x 947 x 825
80220600S400	OX-SB-600 Section 4000mm	1401,9	4000 x 947 x 825
80220600S500	OX-SB-600 Section 5000mm	1656,2	5000 x 947 x 825
80220600S600	OX-SB-600 Section 6000mm	1910,5	6000 x 947 x 825
80220600E	OX-SB-600 End Unit 1500mm	1217	1785 x 947 x 825
80220600D	OX-SB-600 Drop Link	392	571 x 170 x 1020
-	400t Wide body shackle (top) recommended, but optional	635	-
-	300t Wide body shackle (bottom) recommended, but optional	362	-
-	OX-SB-600 Screws (boxes of 18 units)	-	EN-14399 M24 x 120 - 10.9

OX-SB800

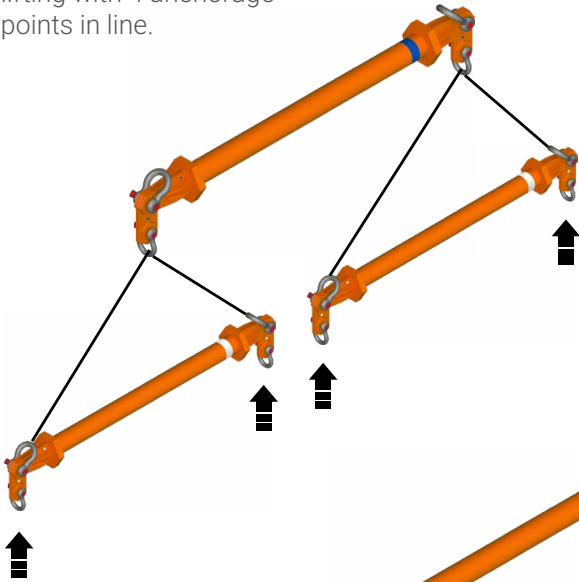
CODE	DESCRIPTION	WEIGHT (kg)	DIMENSIONS L x W x H (mm)
80220800S050	OX-SB-800 Section 500mm	721	500 x 1077 x 936
80220800S100	OX-SB-800 Section 1000mm	891,5	1000 x 1077 x 936
80220800S200	OX-SB-800 Section 2000mm	1232,3	2000 x 1077 x 936
80220800S300	OX-SB-800 Section 3000mm	1573	3000 x 1077 x 936
80220800S400	OX-SB-800 Section 4000mm	1914	4000 x 1077 x 936
80220800S500	OX-SB-800 Section 5000mm	2254,8	5000 x 1077 x 936
80220800S600	OX-SB-800 Section 6000mm	2595,6	6000 x 1077 x 936
80220800E	OX-SB-800 End Unit 1500mm	1593,5	1770 x 1077 x 936
80220800D	OX-SB-800 Drop Link	577	637 x 210 x 1140
-	500t wide body shackle (top) recommended, but optional	803	-
-	400t Wide body shackle (bottom) recommended, but optional	635	-
-	OX-SB-800 Screws (boxes of 24 units)	-	EN-14399 M24 x 130 - 10.9

OX-SB1350

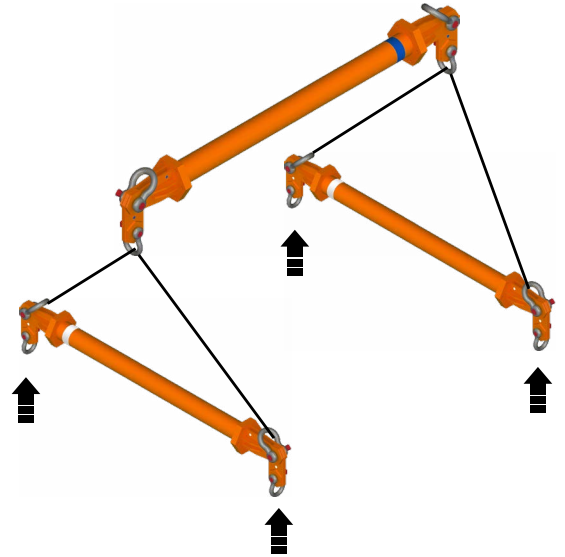
CODE	DESCRIPTION	WEIGHT (kg)	DIMENSIONS L x W x H (mm)
80221350S050	OX-SB-1350 Section 500mm	974,8	500 x 1207 x 1048
80221350S100	OX-SB-1350 Section 1000mm	1189,3	1000 x 1207 x 1048
80221350S200	OX-SB-1350 Section 2000mm	1618,4	2000 x 1207 x 1048
80221350S300	OX-SB-1350 Section 3000mm	2047,4	3000 x 1207 x 1048
80221350S400	OX-SB-1350 Section 4000mm	2476,5	4000 x 1207 x 1048
80221350S500	OX-SB-1350 Section 5000mm	2905,5	5000 x 1207 x 1048
80221350S600	OX-SB-1350 Section 6000mm	3334,6	6000 x 1207 x 1048
80221350E	OX-SB-1350 End Unit 1500mm	2210	1915 x 1207 x 1048
80221350D	OX-SB-1350 Drop LinkT	1343	830 x 270 x 1480
-	800t wide body shackle (top)	1400	-
-	700t Wide body shackle (bottom)	1350	-
-	OX-SB-1350 Screws (boxes of 24 units)	-	EN-14399 M27 x 140 - 10.9

OX SPREADER BEAMS POSSIBLE APPLICATIONS

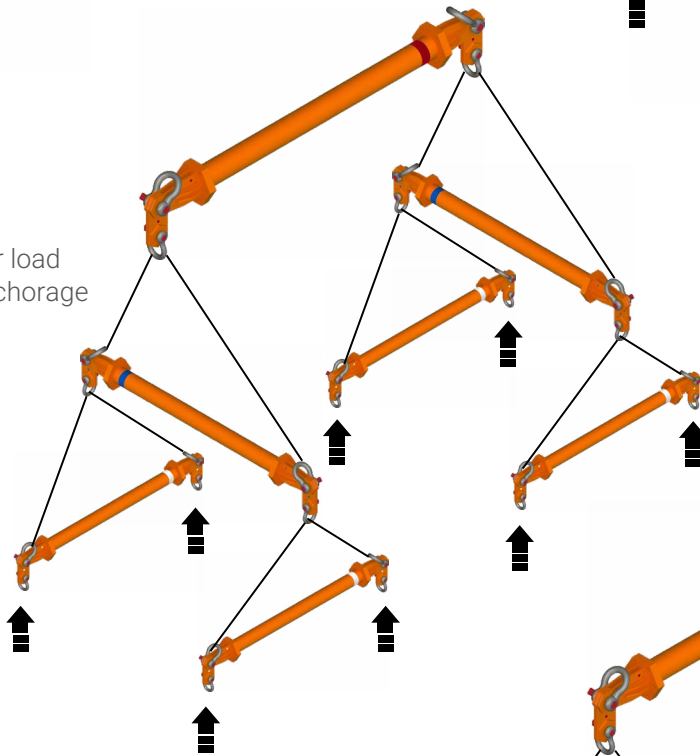
Composition for load lifting with 4 anchorage points in line.



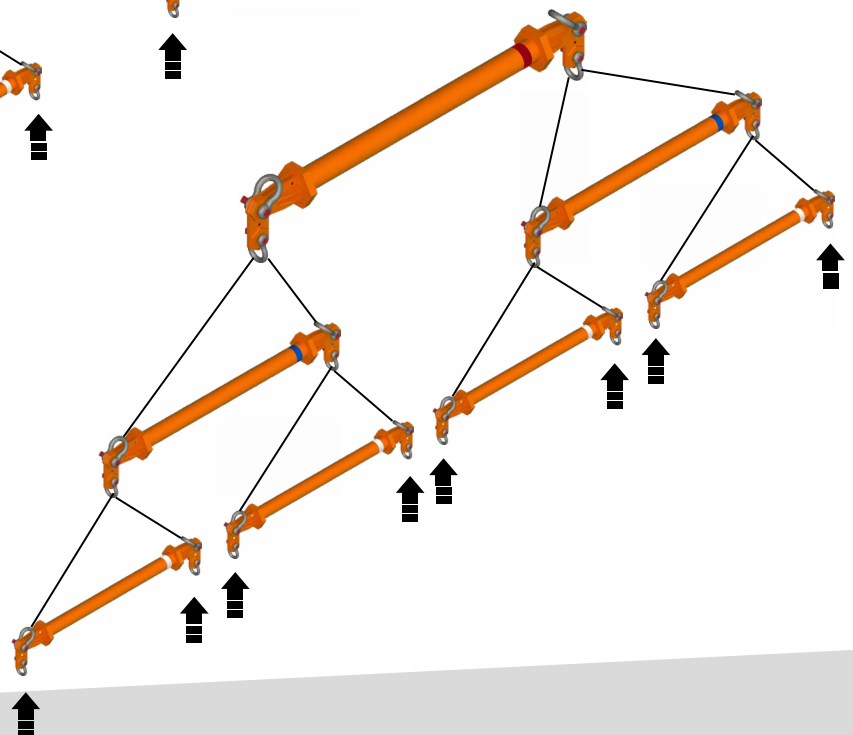
Composition for load lifting with 4 anchorage points at the ends.



Composition for load lifting with 8 anchorage points.

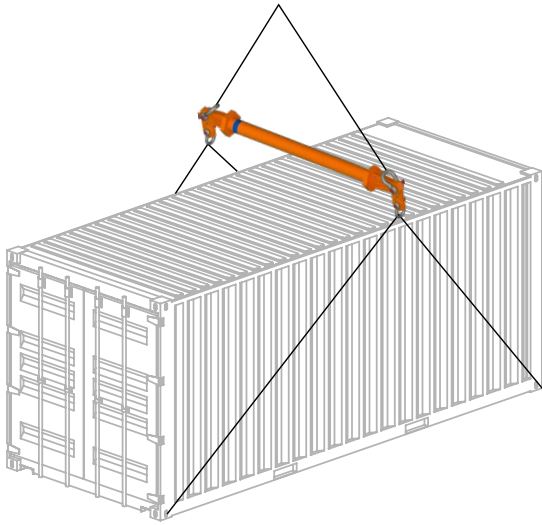


Composition for load lifting with 8 anchorage points in line.

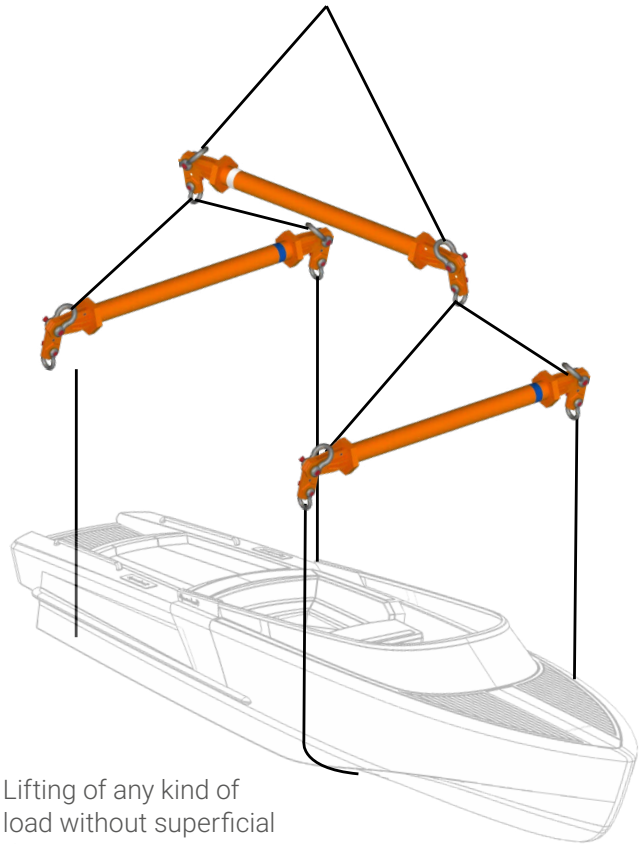


We can advise you on the use of multiple models for your load lifting needs.

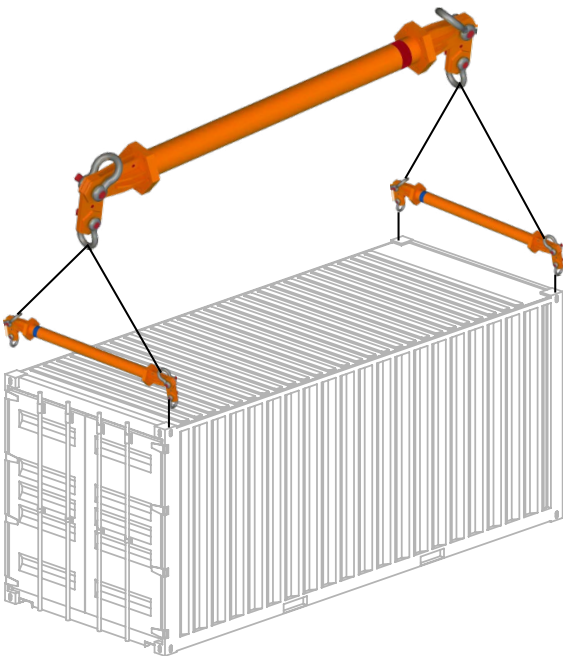
OX SPREADER BEAMS POSSIBLE APPLICATIONS



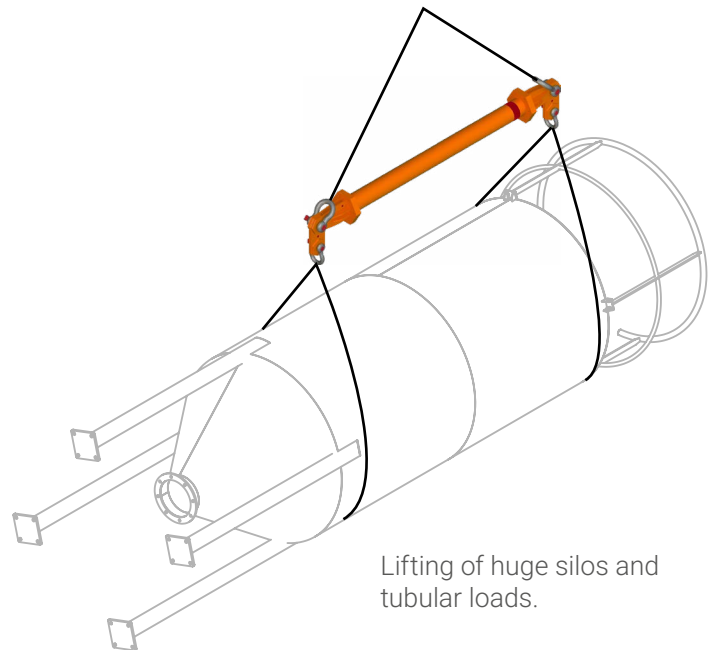
Lifting of containers with 1 only spreader and lateral twistlocks.



Lifting of any kind of load without superficial damages or twittings.



Lifting with vertical twistlocks.

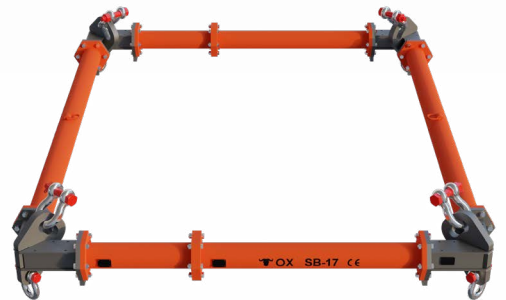
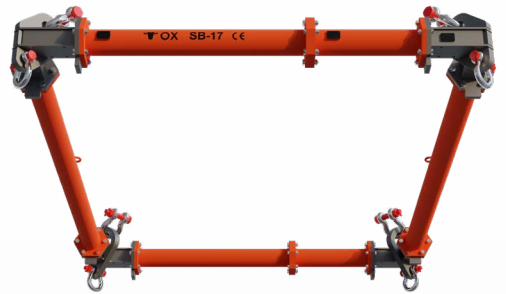
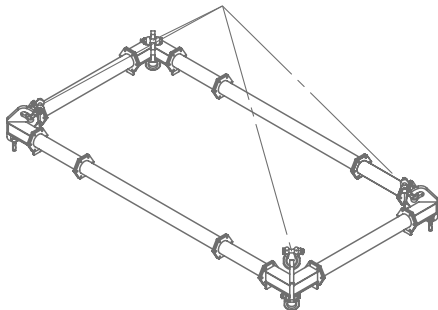
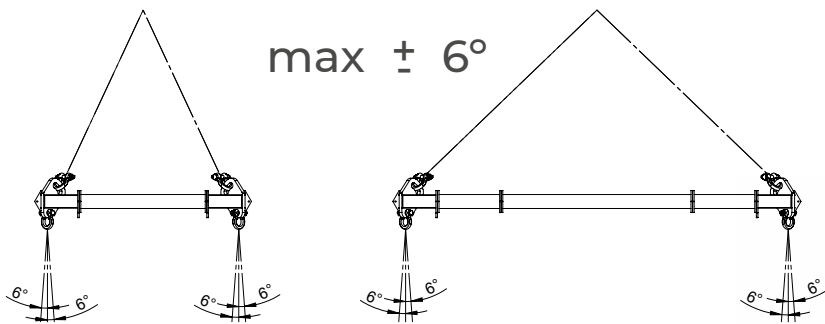


Lifting of huge silos and tubular loads.

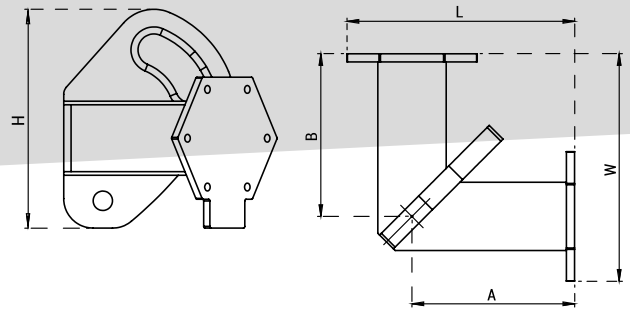
OX SPREADER BEAMS CONERS



Corners are used to join several spreaders into a frame. They are modular, easy to assemble and disassemble and can be adapted to various configurations and sizes.



OX SPREADER BEAMS CORNERS CAPACITY TABLES



CODE	USEFUL DIMENSIONS A x B (mm)	EXTERNAL DIMENSIONS L x W x H (mm)	WEIGHT (kg)	SCREWS	SHACKLE TOP (t)	SHACKLE BOTTOM (t)
80220009CU	250 x 250 x 250	330 x 330 x 246	17,5	DIN 931 M10 x 45 - 10.9	6,5	4,75

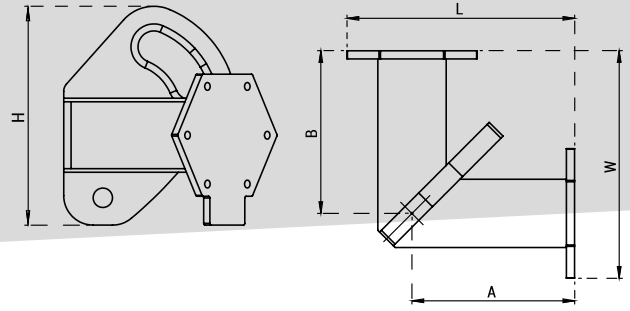
CU-OX-SB09 - 30°

Span [m]	30° SWL [Tons]									Span [m]
	0,5	1	1,5	2	2,5	3	3,5	4	4,5	
5										12
4,5									12	12
4							12	12	12	12
3,5						12	12	12	12	12
3					12	12	12	12	12	12
2,5				12	12	12	12	12	12	12
2			12	12	12	12	12	12	10	10
1,5		12	12	12	12	12	12	10	8	8
1	12	12	12	10	8	8	8	8	7	7
0,5	12	12	12	9	9	7	7	7	6	6
	0,5	1	1,5	2	2,5	3	3,5	4	4,5	5

CU-OX-SB09 - 45°

Span [m]	45° SWL [Tons]									Span [m]
	0,5	1	1,5	2	2,5	3	3,5	4	4,5	
5										10
4,5									10	10
4								10	10	10
3,5							10	10	10	10
3						10	10	10	10	10
2,5					10	10	10	10	10	10
2				10	10	10	10	10	8	8
1,5			10	10	10	10	10	8	6	6
1		10	10	10	6	6	6	6	5	5
0,5	10	10	10	6	6	5	5	5	4	4
	0,5	1	1,5	2	2,5	3	3,5	4	4,5	5

OX SPREADER BEAMS CORNERS CAPACITY TABLES



CODE	USEFUL DIMENSIONS A x B (mm)	EXTERNAL DIMENSIONS L x W x H (mm)	WEIGHT (kg)	SCREWS	SHACKLE TOP (t)	SHACKLE BOTTOM (t)
80220017CU	250 x 250	360 x 360 x 318	35,5	M12 x 60 -10.9 EN-14399-4	12	8,5

CU-OX-SB017 - 30°

Span [m]	30° SWL [Tons]																				
	0,5	1	1,5	2	2,5	3	3,5	4	4,5	5	5,5	6	6,5	7	7,5	8	8,5	9	9,5	10	
10																				12	
9,5																			12	12	
9																	14	12	12		
8,5																16	14	12	11		
8															18	16	14	12	11		
7,5														21	18	16	14	12	11		
7													24	21	16	14	14	11	10		
6,5												24	24	20	16	14	12	11	10		
6												24	24	22	20	16	14	12	11	10	
5,5												24	24	22	22	20	14	14	12	11	10
5										24	24	22	22	20	18	14	14	12	10	9	
4,5									24	24	22	22	20	18	18	14	12	10	10	9	
4								24	24	22	22	20	18	18	16	12	12	10	10	9	
3,5							24	24	22	22	20	18	18	16	14	12	12	10	9	9	
3						24	24	22	22	21	20	18	17	15	13	12	12	10	9	9	
2,5					24	24	22	22	21	20	19	17	16	15	13	12	12	11	9	9	
2				24	24	24	22	21	20	19	18	16	15	15	13	12	11	11	9	9	
1,5			24	24	24	24	22	20	19	18	17	15	15	14	13	12	11	11	9	9	
1		24	24	24	24	24	22	19	18	17	16	15	14	13	13	12	11	11	9	9	
0,5	24	24	24	24	24	24	22	18	18	16	16	14	14	13	13	12	11	11	9	9	
0,5	1	1,5	2	2,5	3	3,5	4	4,5	5	5,5	6	6,5	7	7,5	8	8,5	9	9,5	10		

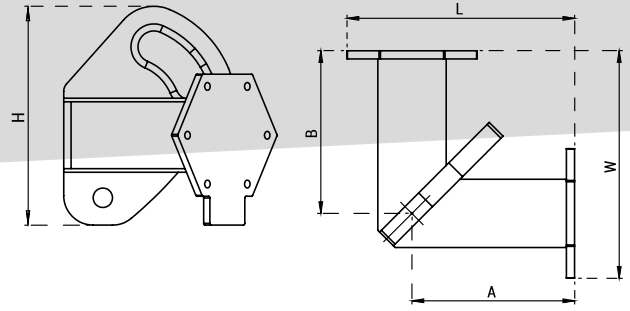
Span [m]

CU-OX-SB017 - 45°

Span [m]	45° SWL [Tons]																			
	0,5	1	1,5	2	2,5	3	3,5	4	4,5	5	5,5	6	6,5	7	7,5	8	8,5	9	9,5	10
10																				7
9,5																			7	7
9																	8	7	7	
8,5																9	8	7	7	
8															10	9	8	7	7	
7,5														12	10	9	8	7	7	
7													14	12	10	9	8	7	7	
6,5												16	14	12	10	9	8	7	7	
6											18	16	14	12	10	9	8	7	7	
5,5										18	17	16	14	11	10	9	8	7	7	
5									18	17	16	15	13	11	10	9	8	7	6	
4,5								18	18	16	15	14	12	11	9	8	8	7	6	
4							18	18	16	15	14	12	11	10	9	8	8	6	6	
3,5						18	18	16	15	14	12	12	10	10	9	8	8	6	6	
3					18	18	16	15	14	12	12	10	10	10	9	8	7	6	6	
2,5				18	18	16	15	14	12	12	10	10	10	10	9	8	7	6	6	
2			18	18	16	15	14	12	12	10	10	10	10	9	8	7	7	6	6	
1,5		18	18	18	16	14	12	12	10	10	10	10	9	9	8	7	7	6	6	
1	18	18	18	18	16	14	12	12	10	10	10	9	9	8	8	7	7	6	6	
0,5	18	18	18	18	18	16	14	12	12	10	10	9	9	8	8	8	7	7	6	6
0,5	1	1,5	2	2,5	3	3,5	4	4,5	5	5,5	6	6,5	7	7,5	8	8,5	9	9,5	10	

Span [m]

OX SPREADER BEAMS CORNERS CAPACITY TABLES



CODE	USEFUL DIMENSIONS A x B (mm)	EXTERNAL DIMENSIONS L x W x H (mm)	WEIGHT (kg)	SCREWS	SHACKLE TOP (t)	SHACKLE BOTTOM (t)
80220024CU	500 x 500	645 x 645 x 415	74,5	M16 x 65-10.9 EN-14399-4	17	12

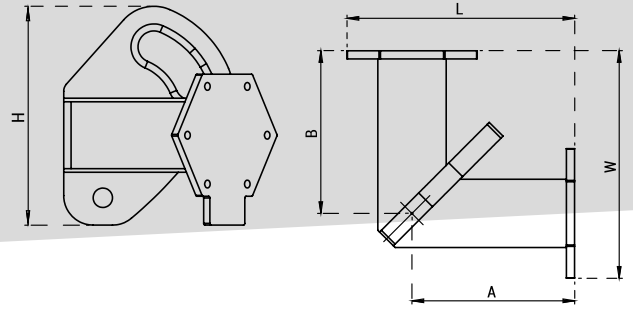
CU-OX-SB024 - 30°

Span [m]	30° SWL [Tons]											Span [m]
	1	2	3	4	5	6	7	8	9	10	11	
12												15
11											18	15
10										22	17	14
9									26	21	16	14
8							28	25	20	15	13	
7						28	25	22	18	15	13	
6					35	25	22	21	17	14	12	
5				35	28	22	21	19	15	13	12	
4			35	35	28	21	19	17	14	12	11	
3		35	35	35	28	19	17	15	13	12	11	
2	35	35	35	28	19	17	15	14	13	12	10	
1	35	35	35	28	26	17	15	14	13	12	10	10

CU-OX-SB024 - 45°

Span [m]	45° SWL [Tons]											Span [m]
	1	2	3	4	5	6	7	8	9	10	11	
12												8
11											10	8
10										12	10	8
9									16	12	9	7
8							18	16	11	8	7	
7						18	16	14	10	8	7	
6					23	16	14	14	10	8	7	
5				26	18	14	14	12	10	8	7	
4			26	26	18	14	12	12	10	8	7	
3		26	26	23	18	12	12	10	9	8	7	
2	26	26	26	18	12	12	10	9	8	7	6	
1	26	26	26	18	16	12	10	9	8	7	6	6

OX SPREADER BEAMS CORNERS CAPACITY TABLES



CODE	USEFUL DIMENSIONS A x B (mm)	EXTERNAL DIMENSIONS L x W x H (mm)	WEIGHT (kg)	SCREWS	SHACKLE TOP (t)	SHACKLE BOTTOM (t)
80220034CU	500 x 500	670 x 670 x 508	110	M20 x 70 -10.9 EN-14399-4	25	17

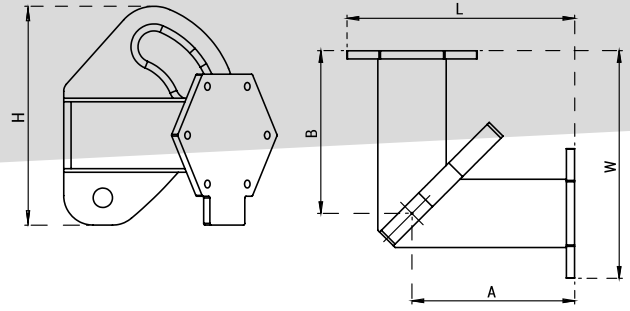
CU-OX-SB034 - 30°

Span [m]	30° SWL [Tons]													
	1	2	3	4	5	6	7	8	9	10	11	12	13	14
14														20
13													22	20
12												26	21	19
11											30	24	20	19
10									30	28	22	19	18	18
9								30	28	27	21	18	17	17
8							40	28	27	25	23	17	16	15
7						50	38	27	25	23	21	17	16	15
6				50	50	34	25	23	21	19	16	15	14	14
5			50	50	42	31	23	21	19	18	15	15	14	14
4		50	50	50	42	28	21	19	18	17	15	14	14	14
3	50	50	50	50	40	26	19	18	17	16	14	14	14	14
2	50	50	50	50	42	37	24	18	17	16	15	14	14	14
1	50	50	50	50	42	37	24	18	17	16	15	14	14	14

CU-OX-SB034 - 45°

Span [m]	45° SWL [Tons]													
	1	2	3	4	5	6	7	8	9	10	11	12	13	14
14														10
13													12	10
12												14	12	10
11											18	14	12	10
10									20	18	14	11	10	10
9								20	18	17	13	11	10	10
8							20	18	17	16	13	11	9	9
7						26	20	17	16	15	12	10	9	9
6					32	24	17	16	15	14	12	10	9	9
5				40	32	23	16	15	14	12	12	10	9	9
4			40	40	28	22	15	14	12	12	11	10	8	8
3		40	40	37	28	19	14	12	12	11	10	9	8	8
2	40	40	40	32	26	18	12	12	11	10	9	8	8	8
1	40	40	40	40	28	25	17	12	11	10	9	8	8	8

OX SPREADER BEAMS CORNERS CAPACITY TABLES



CODE	USEFUL DIMENSIONS A x B (mm)	EXTERNAL DIMENSIONS L x W x H (mm)	WEIGHT (kg)	SCREWS	SHACKLE TOP (t)	SHACKLE BOTTOM (t)
80220050CU	500 x 500	700 x 700 x 620	185	M20 x 80 -10.9 EN-14399-4	35	25

CU-OX-SB050 - 30°

Span [m]	30° SWL [Tons]															
	1	2	3	4	5	6	7	8	9	10	11	12	13	14	15	16
16																38
15															38	35
14													38	35	33	
13												40	35	33	32	
12										40	35	33	32	31	30	
11									48	35	33	32	31	30	29	
10								60	45	33	32	31	30	29	28	
9							72	60	53	39	31	30	29	28	27	26
8					72	72	60	50	36	30	29	28	27	26	24	
7				72	72	72	60	46	35	29	28	27	26	24	22	
6			72	72	72	60	58	43	34	28	27	26	25	22	21	
5		72	72	72	72	60	55	41	33	27	26	25	22	21	21	
4	72	72	72	72	72	60	48	40	32	27	25	22	21	21	20	
3	72	72	72	72	72	52	46	36	27	25	22	21	21	20	20	
2	72	72	72	72	72	52	46	36	27	25	22	21	21	20	20	
1	72	72	72	72	72	52	46	36	27	25	22	21	21	20	20	

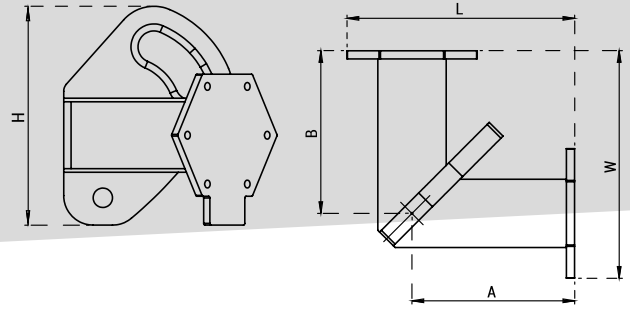
Span [m]

CU-OX-SB050 - 45°

Span [m]	45° SWL [Tons]															
	1	2	3	4	5	6	7	8	9	10	11	12	13	14	15	16
16																20
15															20	18
14													20	19	17	
13												22	19	18	16	
12											22	20	18	17	16	
11										22	20	18	17	16	15	
10									24	20	18	17	16	16	15	
9								30	22	18	17	16	16	15	14	
8							30	28	21	17	16	16	15	15	14	
7						37	30	26	20	16	16	15	15	14	14	
6					44	37	30	25	19	16	15	15	14	14	13	
5				44	44	37	30	24	18	15	15	14	14	14	13	
4			56	44	44	30	30	22	18	15	14	14	14	14	13	
3		56	56	44	44	30	28	22	17	14	14	14	14	13	12	
2	56	56	56	44	37	30	27	21	17	14	14	14	13	13	12	
1	56	56	56	56	44	37	30	27	21	16	14	14	13	13	12	12

Span [m]

OX SPREADER BEAMS CORNERS CAPACITY TABLES



CODE	USEFUL DIMENSIONS A x B (mm)	EXTERNAL DIMENSIONS L x W x H (mm)	WEIGHT (kg)	SCREWS	SHACKLE TOP (t)	SHACKLE BOTTOM (t)
80220070CU	500 x 500	724x724x730	260	M20 x 80 -10.9 EN-14399-4	55	35

CU-OX-SB070 - 30°

Span [m]	30° SWL [Tons]																			
	1	2	3	4	5	6	7	8	9	10	11	12	13	14	15	16	17	18	19	20
20																				64
19																		70		62
18																	78	68		60
17															82	76		66		58
16														86	80	74		64		56
15													86	82	78	72		62		54
14											86	82	78	74	70		60		52	
13											86	82	78	74	70	68		58		50
12											96	82	78	74	70	68	66		56	48
11										100	96	78	74	70	68	66	64		56	46
10									110	100	96	74	70	68	66	64	60		54	45
9								110	110	96	90	70	68	66	64	60	56		52	44
8							110	110	110	96	86	68	66	64	60	56	54		48	42
7						110	110	110	96	82	82	66	64	60	56	54	48		48	40
6					110	110	110	100	96	82	82	66	64	60	56	54	48		48	38
5				110	110	110	100	96	82	78	64	60	56	54	48	48		41	38	34
4			110	110	110	100	96	96	82	74	60	56	54	48	48	41		38	34	31
3		110	110	110	110	96	96	96	82	70	56	54	48	48	41	38		34	31	29
2	110	110	110	110	110	96	96	96	94	82	68	58	48	48	41	38		34	31	26
1	110	110	110	110	110	96	96	96	90	76	58	48	45	41	38	34		31	29	26

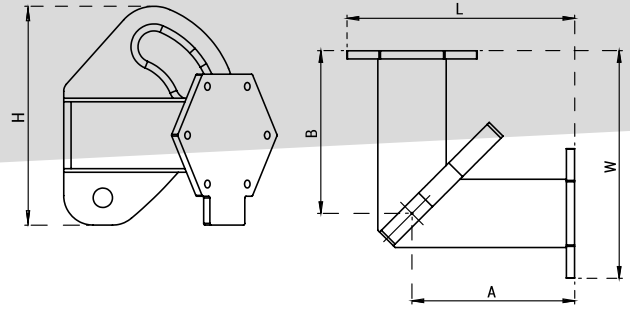
Span [m]

CU-OX-SB070 - 45°

Span [m]	45° SWL [Tons]																			
	1	2	3	4	5	6	7	8	9	10	11	12	13	14	15	16	17	18	19	20
20																				34
19																			38	34
18																		42	38	34
17																	44	42	37	33
16																46	44	41	36	33
15															46	44	42	40	35	32
14														46	44	42	42	39	34	32
13													46	44	42	42	40	38	33	31
12												46	44	44	42	40	38	36	32	30
11												52	44	44	42	40	38	36	34	29
10												52	52	44	42	40	38	36	34	27
9												60	52	52	42	40	38	36	34	25
8												74	60	52	48	40	38	36	34	23
7												76	74	60	52	44	38	36	34	21
6												76	76	74	52	44	42	36	34	20
5												76	76	76	64	52	44	40	34	19
4												76	76	76	76	64	52	44	38	18
3												76	76	76	76	76	64	52	44	17
2												76	76	76	76	76	72	64	52	16
1												76	76	76	76	76	74	72	64	16

Span [m]

OX SPREADER BEAMS CORNERS CAPACITY TABLES



CODE	USEFUL DIMENSIONS A x B (mm)	EXTERNAL DIMENSIONS L x W x H (mm)	WEIGHT (kg)	SCREWS EN-14399-4 M20 x 90 -10.9	SHACKLE TOP (t)	SHACKLE BOTTOM (t)
80220110CU	500 x 500	750 x 750 x 842	371	EN-14399-4 M20 x 90 -10.9	85	55

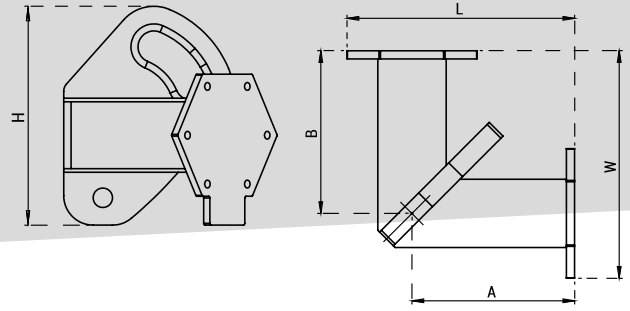
CU-OX-SB110 - 30°

Span [m]	30° SWL [Tons]																					Span [m]
	1	2	3	4	5	6	7	8	9	10	11	12	13	14	15	16	17	18	19	20	21	
22																					100	
21																				110	98	
20																			110	105	96	
19																		120	105	100	94	
18																	125	120	100	95	90	
17																135	125	115	95	92	88	
16															150	135	120	110	92	90	84	
15														160	145	130	115	108	90	88	82	
14													165	160	140	125	110	105	88	86	78	
13												170	165	158	135	120	105	100	86	84	74	
12											170	170	160	155	130	115	100	95	84	80	72	
11										170	170	170	160	150	125	110	95	90	80	78	68	
10									170	170	170	170	155	150	120	105	90	85	78	75	64	
9								170	170	170	170	170	150	145	110	100	85	80	75	72	62	
8							170	170	170	170	170	170	145	140	100	90	80	75	72	70	58	
7						170	170	170	170	170	170	150	140	125	90	85	75	72	70	65	56	
6					170	170	170	170	170	170	155	140	125	100	85	80	72	70	65	60	54	
5				170	170	170	170	170	170	155	140	130	110	90	80	75	70	65	62	58	52	
4			170	170	170	170	170	170	155	140	130	110	100	85	75	70	65	62	58	55	48	
3			170	170	170	170	170	155	140	130	110	100	85	77	70	65	62	58	55	50	46	
2		170	170	170	170	170	170	155	140	130	110	100	85	77	70	65	62	58	55	50	48	42
1	170	170	170	170	170	170	155	140	130	110	100	85	77	70	65	62	58	55	50	48	44	40

CU-OX-SB110 - 45°

Span [m]	45° SWL [Tons]																					Span [m]
	1	2	3	4	5	6	7	8	9	10	11	12	13	14	15	16	17	18	19	20	21	
22																					60	
21																				65	60	
20																			65	64	58	
19																		70	64	62	56	
18																	75	70	64	60	56	
17																80	75	68	62	58	54	
16															85	80	74	66	62	56	54	
15														90	82	78	72	64	60	54	52	
14													104	90	80	76	70	62	60	52	50	
13												115	102	90	76	74	68	60	58	50	48	
12											115	115	100	88	74	72	67	58	55	48	46	
11										115	115	110	98	86	72	70	65	55	52	46	44	
10									115	115	110	105	96	84	70	65	60	52	48	44	42	
9								115	115	110	105	100	95	82	65	60	55	48	45	42	40	
8							115	115	115	110	105	100	90	80	60	55	50	45	42	40	38	
7						115	115	115	110	105	100	90	80	70	55	50	45	42	40	38	36	
6					115	115	115	115	110	100	95	80	70	60	55	45	42	40	38	36	34	
5				115	115	115	115	110	100	95	80	72	60	55	50	42	40	38	36	34	32	
4			115	115	115	115	115	100	95	80	75	65	60	50	45	40	38	36	34	32	30	
3			115	115	115	115	115	95	80	75	65	60	50	45	40	38	36	34	32	30	28	
2		115	115	115	115	115	115	95	80	75	65	60	50	45	40	38	36	34	32	30	28	26
1	115	115	115	115	115	115	95	80	75	65	60	50	45	40	38	36	34	32	30	28	26	24

OX SPREADER BEAMS CORNERS CAPACITY TABLES



CODE	USEFUL DIMENSIONS A x B (mm)	EXTERNAL DIMENSIONS L x W x H (mm)	WEIGHT (kg)	SCREWS	SHACKLE TOP (t)	SHACKLE BOTTOM (t)
80220170CU	1000 x 1000	1310 x 1310 x 1046	759	EN-14399-4 M20 x 90-10.9	120	85

CU-OX-SB170 - 30°

Span [m]	30° SWL (Tons)																						
	2	3	4	5	6	7	8	9	10	11	12	13	14	15	16	17	18	19	20	21	22	23	24
24																							125
23																						125	120
22																					140	120	120
21																				155	135	120	115
20																			170	150	130	115	110
19																		180	170	145	130	115	110
18																	195	180	165	140	125	110	105
17																215	195	180	160	135	125	110	105
16															230	215	190	175	155	130	120	110	105
15														240	230	215	190	175	150	130	120	110	105
14													250	240	230	210	185	170	145	125	115	105	100
13											250	250	240	220	210	185	170	140	125	115	105	100	100
12										250	250	250	240	220	205	180	165	135	120	110	100	95	95
11								250	250	250	250	240	210	205	180	160	130	120	105	95	90	90	90
10							250	250	250	250	250	240	210	185	170	160	125	110	100	90	82	82	82
9						250	250	250	250	250	250	210	200	170	160	136	110	105	95	82	76	76	76
8					250	250	250	250	250	250	210	200	170	160	136	124	105	95	82	76	70	70	66
7				250	250	250	250	250	250	225	200	170	160	136	124	105	95	82	76	70	66	60	60
6			250	250	250	250	250	250	225	200	170	160	136	124	105	95	82	76	70	66	60	56	56
5			250	250	250	250	250	225	200	170	160	136	124	105	95	82	76	70	66	60	56	54	54
4		250	250	250	250	250	225	200	170	160	136	124	105	95	82	76	70	66	60	56	54	52	52
3	250	250	250	250	250	250	225	200	175	160	136	124	105	95	82	76	70	66	60	56	54	52	52
2	250	250	250	250	250	225	208	175	160	136	124	105	95	82	76	70	66	60	56	54	52	50	50

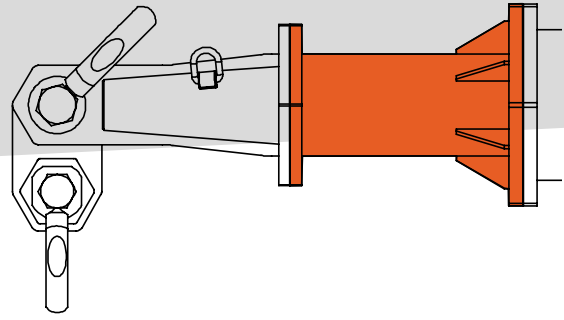
Span [m]

CU-OX-SB170 - 45°

Span [m]	45° SWL (Tons)																						
	2	3	4	5	6	7	8	9	10	11	12	13	14	15	16	17	18	19	20	21	22	23	24
24																							85
23																						85	82
22																				95	82	82	82
21																				105	92	82	78
20																				116	102	88	75
19																				122	116	99	75
18																				133	122	112	71
17																				146	133	122	71
16																				156	146	129	71
15																				163	156	146	71
14																				170	163	156	68
13																				170	170	163	68
12																				170	170	170	65
11																				170	170	170	61
10																				170	170	170	56
9																				170	170	170	52
8																				170	170	170	48
7																				170	170	170	45
6																				170	170	170	41
5																				170	170	170	38
4																				170	170	170	37
3																				170	170	170	35
2																				170	170	170	34

Span [m]

OX SPREADER BEAMS CONE ADAPTER

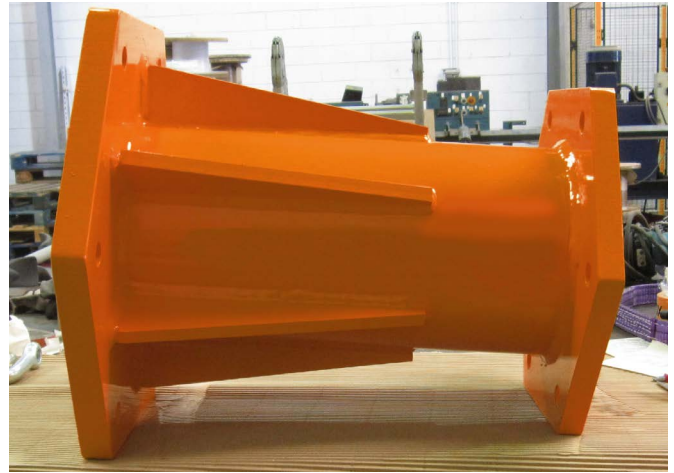


Do you have to lift a very long load but not so heavy? The cone adapters are the solution

The cone adapters are placed between the end unit of a certain load and the intermediate sections of upper models. In this way, it is possible use the spreader beam with more length without having to increase the model of the end unit, Drop Link and shackles.

Benefits:

- Reduction of end units and Drop Links in size and cost
- Reduction of upper and lower shackles in size and cost.

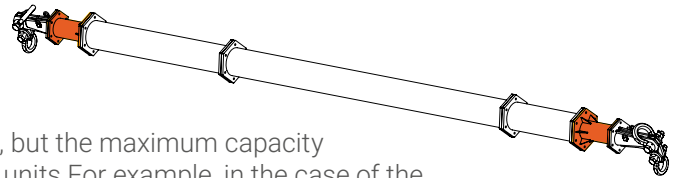


CONE ADAPTERS

CODE	Section	END-UNIT	CODE	Section	END-UNIT	CODE	Section	END-UNIT	CODE	Section	END-UNIT
8022034017CA	34	17	8022170034CA	170	34	8022400070CA	400	70	8022800170CA	800	170
8022050017CA	50	17	8022170050CA	"	50	8022400110CA	"	110	8022800250CA	"	250
8022050024CA	"	24	8022170070CA	"	70	8022400170CA	"	170	8022800400CA	"	400
8022070024CA	70	24	8022170110CA	"	110	8022400250CA	"	250	8022800600CA	"	600
8022070034CA	"	34	8022250050CA	250	50	8022600110CA	600	110	80221350250CA	1350	250
8022070050CA	"	50	8022250070CA	"	70	8022600170CA	"	170	80221350400CA	"	400
8022110024CA	110	24	8022250110CA	"	110	8022600250CA	"	250	80221350600CA	"	600
8022110034CA	"	34	8022250170CA	"	170	8022600400CA	"	400	80221350800CA	"	800
8022110050CA	"	50									
8022110070CA	"	70									

CAPACITY WITH THE CONE ADAPTER

The maximum length depends on the model of the section, but the maximum capacity of the assembly becomes the working load limit of the end units. For example, in the case of the 110/50 cone adapters the capacity table will be:



OX-SB110

SPAN (m)	2-10	11	12	13	14	15	16	17	18	19	20	21	22
45° WLL (t)	110	105	91	78	67	58	51	44	39	34	30	26	23
30° WLL (t)	110	110	110	110	110	110	88	76	67	58	51	45	40
20° WLL (t)	110	110	110	110	110	110	110	110	105	92	82	70	63

50t