



# LIFTING BEAMS



## LIFTING BEAMS

# DESIGNED FOR EVERY LIFTING NEED



## DESCRIPTION

The lifting beams are elements for the handling of loads. They are placed between the crane and the tool to be manipulated to improve the stability and safety of the movement of the load.

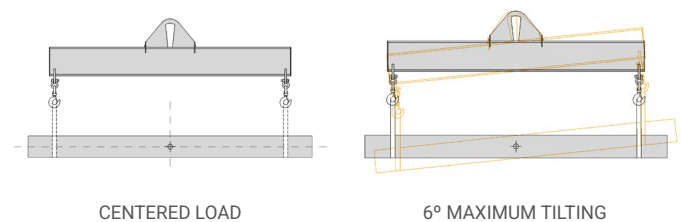
There are as many lifting beam models as our customers have requirements. They are custom designed to solve the lifting of loads of each client, strictly complying with design and manufacturing regulations. They can be fixed, adjustable, in the form of "H", rectangular, rotating, telescopic ... Or a mixture of all.

At OX Worldwide we have designed and manufactured lifting beams to handle loads from 100 kilograms to 180 tonnes.

They are usually manufactured with a beam, structural tube or electrowelded box to which the necessary upper and lower suspension elements are added. The upper elements are those that are attached to the crane (or cranes) and the lower elements are those that are attached to the load. Go to page 68-69 to see all the possibilities.

## GENERAL CHARACTERISTICS

- Designed to withstand dynamic effects at lifting speeds of up to 20m / min.
- Calculation and analysis by finite elements.
- Work with the center of gravity centered on the whole.
- Maximum inclination of the lifting beam: 6° with respect to the horizontal.



# INDEX

## FINISH

The material we have used is: S275 steel for beams and S355 steel for the rest of materials. We can design spreader beams in high elastic limit depending on the customer premises.

## MATERIAL

The basic finishing of our products consists of Sa 2.5 sandblasting according to ISO 8501-1 standards. One layer of zinc phosphate epoxy primer with a thickness of 50 microns and two layers of polyurethane enamel colour RAL 1028. Other grades on request.

## IN ACCORDANCE WITH

- **UNE-EN ISO 12100: 2012.** Safety of machinery - General principles for design - Risk assessment and risk reduction
- **UNE-EN 13155:2004+A2:2009.** Cranes. Security, static equipment for lifting loads.
- **UNE-EN ISO 3834-2:2006.** Quality requirements for fusion welding of metallic materials - Part 2: Comprehensive quality requirement

**FEM5** building section. Lifting speed 20m/min.



page 04  
**SUSPENSION ELEMENTS**

page 05  
**SUSPENSION ELEMENTS**

page 06  
**STANDARD BEAM**

page 07  
**ADJUSTABLE TYPE BEAM**

page 8  
**FIXED H TYPE BEAM**

page 9  
**ADJUSTABLE H TYPE BEAM**

page 10  
**RECTANGULAR BEAMS**

page 11  
**CROSS BEAMS**

page 12  
**SWIVEL SPREADER**

page 13  
**TELESCOPIC BEAM**

page 14  
**OTHER BEAMS**

page 15  
**SPREADER CONTAINERS**

page 16  
**SPECIAL BEAMS**

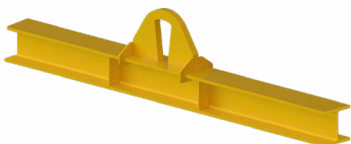
# LIFTING BEAMS SUSPENSION ELEMENTS

## TOP

The top suspension elements are used to join the lifting beam with the crane that is going to perform the movement. To choose them it is important to know the crane or cranes to be used and to know the center of gravity of the load to be handled.

All these models of top suspensions are with non-load welding and can be placed twice to work with two cranes at the same time.

### RECOMMENDED FOR LOADS WITH NO VARIATIONS ON THE CENTER OF GRAVITY



#### Simple Eye

Fixed top suspension. Economical solution advisable when the lifting beam is always used with the same crane or crane hook model.



#### Master Link

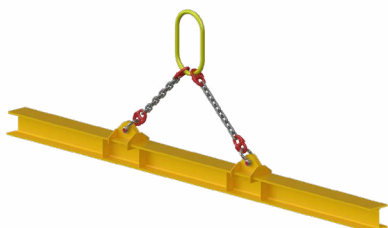
Fixed top suspension that allows to change the master link (for one of the same load or higher) depending on the hook of the crane.



#### Pin

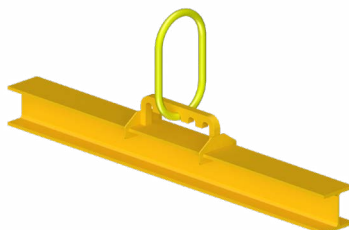
Fixed top suspension with removable pin. It allows to reduce the height and is valid for a wider range of measures of crane hooks.

### RECOMMENDED FOR LOADS WITH POSSIBLE VARIATIONS ON THE CENTER OF GRAVITY



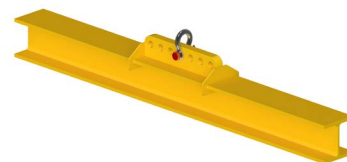
#### Master link with two legs

Fixed top suspension. Economical solution advisable when the lifting beam is always used with the same crane or crane hook model.



#### Multi position plate for master links

Fixed top suspension that allows to change the master link (for one of the same load or higher) depending on the hook of the crane.



#### Top multi-eye sheet

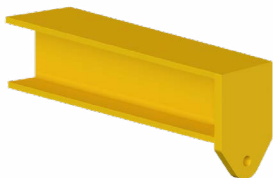
Fixed top suspension with removable pin. It allows to reduce the height and is valid for a wider range of measures of crane hooks.

## BOTTOM

All these models of bottom suspensions can be placed twice or combine some of them to work with the load as stable as possible

Other models, please ask us.

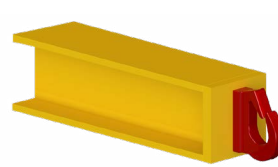
### WITH WELDING SUPPORTING THE LOAD



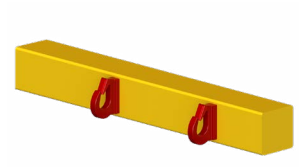
**Eye in the end**  
 Fixed bottom suspension. Two plates can be placed with one or more holes for shackles at the ends.



**Double hook in the end**  
 Fixed bottom suspension with hooks on the lifting beam end plate. Made to measure with security closure.



**Weldable hook in the end**  
 Fixed bottom suspension with welded hooks placed at the ends



**Weldable hook in the end**  
 Fixed bottom suspension with welded hooks placed at the ends

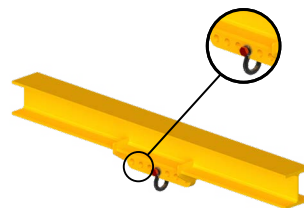
### WITH WELDING NOT SUPPORTING THE LOAD



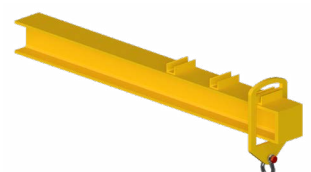
**Fixed eye**  
 Fixed bottom suspension. They can be placed at the ends or throughout the length with one or more shackle holes.



**Suspension Hook**  
 Fixed bottom suspension with market suspensions coupled to our lifting beam.



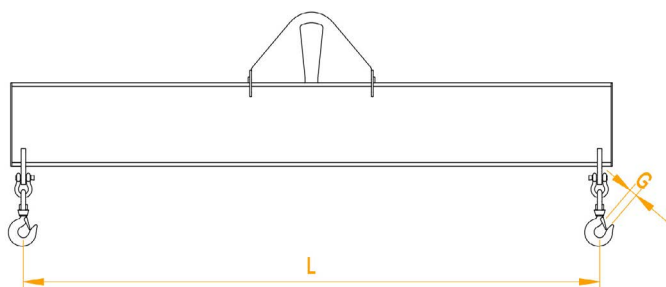
**Multi-eye sheet**  
 Fixed bottom suspension that allows regulation. You can change the position through the incorporated shackle to the desired length.



**Bottom movable fixation**  
 Adjustable bottom suspension. The plate is moved with the incorporated shackle, without the need to disassemble any part.

# LIFTING BEAMS STANDARD BEAM

The fixed lifting beams are composed of a tube or beam where the suspension elements are welded. Although the elements are fixed, you can choose upper or lower suspensions that do allow regulation, such as the multi-drill plate, to be able to change the position shackle.



The most common configuration of this lifting beam is a simple top eye fixed at the center and two bottom eyes fixed at the ends. With this option, little height is lost and all the suspension elements will be without the welding supporting any loads.

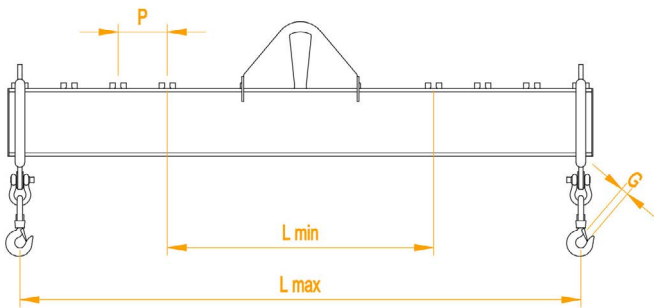
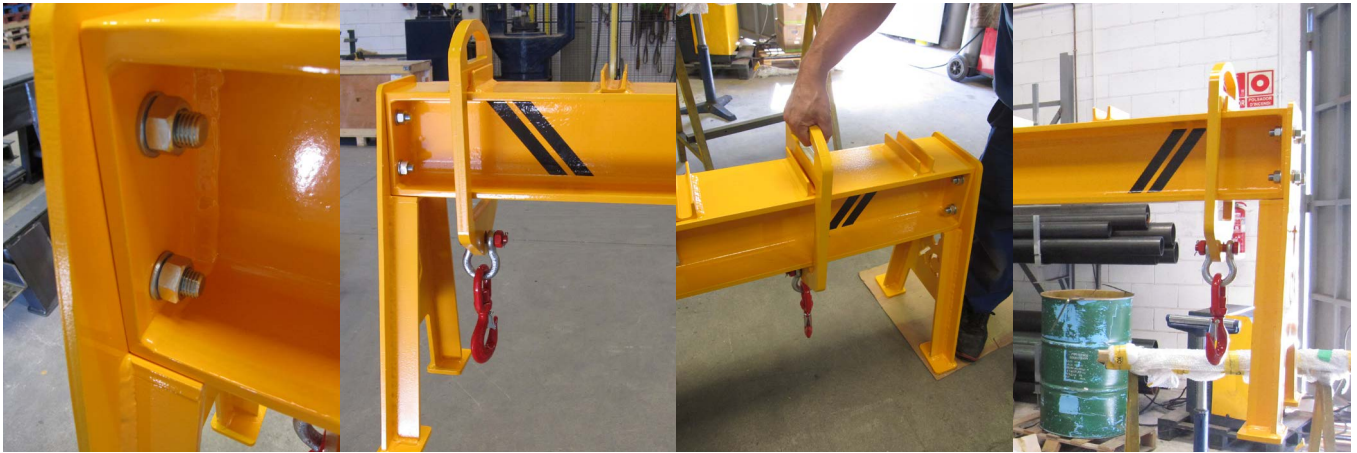
CODE	TYPE	WLL (t)	DIMENSIONS (mm)		WEIGHT (kg)
			L	G	
803LBA0001020	LBA001-2	1	2000	25	85
803LBA0001030	LBA001-3	1	3000	25	140
803LBA0001040	LBA001-4	1	4000	25	215
803LBA0001050	LBA001-5	1	5000	25	310
803LBA0003020	LBA003-2	3	2000	32	100
803LBA0003030	LBA003-3	3	3000	32	170
803LBA0003040	LBA003-4	3	4000	32	295
803LBA0003050	LBA003-5	3	5000	32	415
803LBA0003060	LBA003-6	3	6000	32	565
803LBA0005020	LBA005-2	5	2000	38	155
803LBA0005030	LBA005-3	5	3000	38	245
803LBA0005040	LBA005-4	5	4000	38	355
803LBA0005050	LBA005-5	5	5000	38	545
803LBA0005060	LBA005-6	5	6000	38	710
803LBA0008020	LBA008-2	8	2000	48	160
803LBA0008030	LBA008-3	8	3000	48	290
803LBA0008040	LBA008-4	8	4000	48	455

CODE	TYPE	WLL (t)	DIMENSIONS (mm)		WEIGHT (kg)
			L	G	
803LBA0008050	LBA008-5	8	5000	48	555
803LBA0008060	LBA008-6	8	6000	48	870
803LBA0010020	LBA010-2	10	2000	58	190
803LBA0010030	LBA010-3	10	3000	58	330
803LBA0010040	LBA010-4	10	4000	58	460
803LBA0010050	LBA010-5	10	5000	58	740
803LBA0010060	LBA010-6	10	6000	58	920
803LBA0015020	LBA015-2	15	2000	67	220
803LBA0015030	LBA015-3	15	3000	67	370
803LBA0015040	LBA015-4	15	4000	67	580
803LBA0015050	LBA015-5	15	5000	67	800
803LBA0015060	LBA015-6	15	6000	67	1070
803LBA0020020	LBA020-2	20	2000	81	300
803LBA0020030	LBA020-3	20	3000	81	415
803LBA0020040	LBA020-4	20	4000	81	630
803LBA0020050	LBA020-5	20	5000	81	915
803LBA0020060	LBA020-6	20	6000	81	1185



# LIFTING BEAMS ADJUSTABLE BEAM

The adjustable lifting beams are usually formed by a single beam structure to which are incorporated the displaceable elements that allow the regulation of the useful length. When a length change is made, it must be checked that the center of gravity is centered with respect to the top eye before performing the lifting.

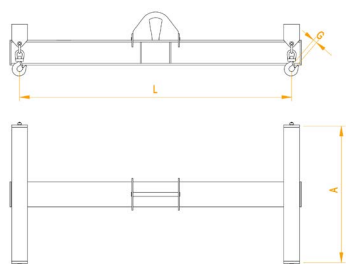


The most frequent design of the adjustable lifting beam is a simple top eye fixed at the center and two bottom eyes movable at the ends. With this option, little height is lost and all the suspension elements can be without the welding supporting any loads.

CODE	TYPE	WLL (t)	DIMENSIONS (mm)				WEIGHT (kg)
			L max	L min	G	G	
803LBB0001020	LBB001-2	1	2000	1000	250	25	85
803LBB0001030	LBB001-3	1	3000	1500	250	25	140
803LBB0001040	LBB001-4	1	4000	2000	250	25	215
803LBB0001050	LBB001-5	1	5000	2500	250	25	310
803LBB0003020	LBB003-2	3	2000	1000	250	29	100
803LBB0003030	LBB003-3	3	3000	1500	250	29	170
803LBB0003040	LBB003-4	3	4000	2000	250	29	295
803LBB0003050	LBB003-5	3	5000	2500	250	29	415
803LBB0003060	LBB003-6	3	6000	3000	250	29	565
803LBB0005020	LBB005-2	5	2000	1000	250	38	155
803LBB0005030	LBB005-3	5	3000	1500	250	38	245
803LBB0005040	LBB005-4	5	4000	2000	250	38	355
803LBB0005050	LBB005-5	5	5000	2500	250	38	545
803LBB0005060	LBB005-6	5	6000	3000	250	38	710
803LBB0008020	LBB008-2	8	2000	1000	250	48	160
803LBB0008030	LBB008-3	8	3000	1500	250	48	290
803LBB0008040	LBB008-4	8	4000	2000	250	48	455

# LIFTING BEAMS FIXED H TYPE BEAM

Fixed "H" lifting beams are H-shaped structures. They consist of a beam or central tube where one or more top suspension elements and two beams are welded at the ends, where four or more lower suspension elements are placed. Usually the "H" beams are welded to the central structure. If necessary, the lifting beam can also be designed so it can be demountable to save space in transport and storage.



The most common suspension elements for this model are four fixed bottom eyes on the ends of the beams and a single top eye fixed at the center. With this option, little height is lost and all the suspension elements will be without the welding supporting any loads.

CODE	TYPE	WLL (t)	DIMENSIONS (mm)		
			L	A	G
803LBA0001020	LBA001-2	1	2000	1000	25
803LBA0001030	LBA001-3	1	3000	2000	25
803LBA0001040	LBA001-4	1	4000	2000	25
803LBA0001050	LBA001-5	1	5000	3000	25
803LBA0003020	LBA003-2	3	2000	1000	27
803LBA0003030	LBA003-3	3	3000	2000	27
803LBA0003040	LBA003-4	3	4000	2000	27
803LBA0003050	LBA003-5	3	5000	3000	27
803LBA0003060	LBA003-6	3	6000	3000	27
803LBA0005020	LBA005-2	5	2000	1000	29
803LBA0005030	LBA005-3	5	3000	2000	29
803LBA0005040	LBA005-4	5	4000	2000	29
803LBA0005050	LBA005-5	5	5000	3000	29
803LBA0005060	LBA005-6	5	6000	3000	29
803LBA0008020	LBA008-2	8	2000	1000	32
803LBA0008030	LBA008-3	8	3000	2000	32
803LBA0008040	LBA008-4	8	4000	2000	32

CODE	TYPE	WLL (t)	DIMENSIONS (mm)		
			L	A	G
803LBC0008050	LBC008-5	8	5000	3000	32
803LBC0008060	LBC008-6	8	6000	3000	32
803LBC0010020	LBC010-2	10	2000	1000	38
803LBC0010030	LBC010-3	10	3000	2000	38
803LBC0010040	LBC010-4	10	4000	2000	38
803LBC0010050	LBC010-5	10	5000	3000	38
803LBC0010060	LBC010-6	10	6000	3000	38
803LBC0015020	LBC015-2	15	2000	1000	48
803LBC0015030	LBC015-3	15	3000	2000	48
803LBC0015040	LBC015-4	15	4000	2000	48
803LBC0015050	LBC015-5	15	5000	3000	48
803LBC0015060	LBC015-6	15	6000	3000	48
803LBC0020020	LBC020-2	20	2000	1000	58
803LBC0020030	LBC020-3	20	3000	2000	58
803LBC0020040	LBC020-4	20	4000	2000	58
803LBC0020050	LBC020-5	20	5000	3000	58
803LBC0020050	LBC020-6	20	6000	3000	58



# LIFTING BEAMS

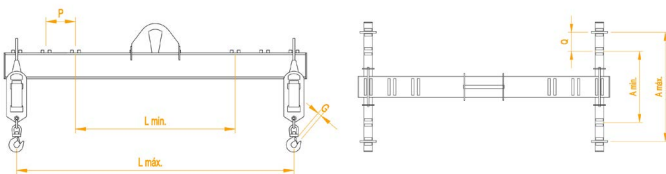
## ADJUSTABLE H TYPE BEAM

The adjustable “H” lifting beams are H-shaped structures with movable suspension elements. The regulation can go in one direction (transverse or longitudinal) or in two directions (transverse and longitudinal).

In the event that the lifting beam is only transversely adjustable, the transverse beams are welded to the

central structure and the bottom adjustable suspension elements are placed.

If the lifting beam is adjustable longitudinally, it is the transverse beams themselves that move with a plate similar to the adjustable movable attachment. In this case, the lifting beam is removable and less bulky to transport and / or store



In order for the lifting beam to be adjustable in both transverse and longitudinal directions, a combination must be made between the two cases.

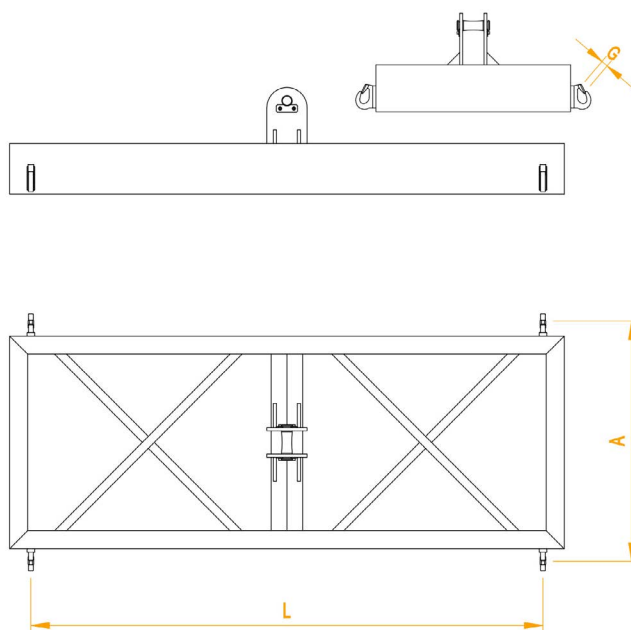
CODE	TYPE	WLL (t)	DIMENSIONS (mm)						
			L max	L min	P	A max	A min	Q	G
803LBC0008050	LBC008-5	8	2000	1000	250	1000	500	250	25
803LBC0008060	LBC008-6	8	3000	1500	250	2000	1000	250	25
803LBC0010020	LBC010-2	10	4000	2000	250	2000	1000	250	25
803LBC0010030	LBC010-3	10	5000	2500	250	3000	1500	250	25
803LBC0010040	LBC010-4	10	2000	1000	250	1000	500	250	27
803LBC0010050	LBC010-5	10	3000	1500	250	2000	1000	250	27
803LBC0010060	LBC010-6	10	4000	2000	250	2000	1000	250	27
803LBC0015020	LBC015-2	15	5000	2500	250	3000	1500	250	27
803LBC0015030	LBC015-3	15	6000	3000	250	3000	1500	250	27
803LBC0015040	LBC015-4	15	2000	1000	250	1000	500	250	29
803LBC0015050	LBC015-5	15	3000	1500	250	2000	1000	250	29
803LBC0015060	LBC015-6	15	4000	2000	250	2000	1000	250	29
803LBC0020020	LBC020-2	20	5000	2500	250	3000	1500	250	29
803LBC0020030	LBC020-3	20	6000	3000	250	3000	1500	250	29
803LBC0020040	LBC020-4	20	2000	1000	250	1000	500	250	32
803LBC0020050	LBC020-5	20	3000	1500	250	2000	1000	250	32
803LBC0020050	LBC020-6	20	4000	2000	250	2000	1000	250	32

CODE	TYPE	WLL (t)	DIMENSIONS (mm)						
			L max	L min	P	A max	A min	Q	G
803LBD0008050	LBD008-5	8	5000	2500	250	3000	1500	250	32
803LBD0008060	LBD008-6	8	6000	3000	250	3000	1500	250	32
803LBD0010020	LBD010-2	10	2000	1000	250	1000	500	250	38
803LBD0010030	LBD010-3	10	3000	1500	250	2000	1000	250	38
803LBD0010040	LBD010-4	10	4000	2000	250	2000	1000	250	38
803LBD0010050	LBD010-5	10	5000	2500	250	3000	1500	250	38
803LBD0010060	LBD010-6	10	6000	3000	250	3000	1500	250	38
803LBD0015020	LBD015-2	15	2000	1000	250	1000	500	250	48
803LBD0015030	LBD015-3	15	3000	1500	250	2000	1000	250	48
803LBD0015040	LBD015-4	15	4000	2000	250	2000	1000	250	48
803LBD0015050	LBD015-5	15	5000	2500	250	3000	1500	250	48
803LBD0015060	LBD015-6	15	6000	3000	250	3000	1500	250	48
803LBD0020020	LBD020-2	20	2000	1000	250	1000	500	250	58
803LBD0020030	LBD020-3	20	3000	1500	250	2000	1000	250	58
803LBD0020040	LBD020-4	20	4000	2000	250	2000	1000	250	58
803LBD0020050	LBD020-5	20	5000	2500	250	3000	1500	250	58
803LBD0020060	LBD020-6	20	6000	3000	250	3000	1500	250	58

# LIFTING BEAMS RECTANGULAR BEAM

The rectangular lifting beams are designed to have at least four suspension elements; but it is advisable to choose this model only when more lifting points are needed, since they are heavier than the "H" lifting beams. The advantage of rectangular lifting beams is that they have four sides to weld the suspension elements.

The most common configuration of this model is a rectangular tube structure with weldable lifting points on the sides or fixed suspension elements at points where movement requires it.



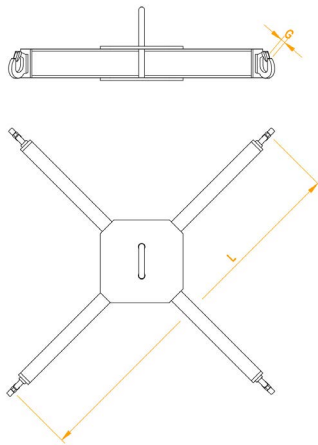
CODE	TYPE	WLL (t)	DIMENSIONS (mm)			WEIGHT (kg)
			L	A	C	
803LBE0001020	LBE001-2	1	2000	1000	22	25
803LBE0001030	LBE001-3	1	3000	2000	22	25
803LBE0001040	LBE001-4	1	4000	2000	22	25
803LBE0001050	LBE001-5	1	5000	3000	22	25
803LBE0003020	LBE003-2	3	2000	1000	22	25
803LBE0003030	LBE003-3	3	3000	2000	22	25
803LBE0003040	LBE003-4	3	4000	2000	22	25
803LBE0003050	LBE003-5	3	5000	3000	22	25
803LBE0003060	LBE003-6	3	6000	3000	22	25
803LBE0005020	LBE005-2	5	2000	1000	22	26,5
803LBE0005030	LBE005-3	5	3000	2000	22	26,5
803LBE0005040	LBE005-4	5	4000	2000	22	26,5
803LBE0005050	LBE005-5	5	5000	3000	22	26,5
803LBE0005060	LBE005-6	5	6000	3000	22	26,5
803LBE0008020	LBE008-2	8	2000	1000	22	26,5
803LBE0008030	LBE008-3	8	3000	2000	22	26,5
803LBE0008040	LBE008-4	8	4000	2000	22	26,5

CODE	TYPE	WLL (t)	DIMENSIONS (mm)			WEIGHT (kg)
			L	A	C	
803LBE0008050	LBE008-5	8	5000	3000	22	26,5
803LBE0008060	LBE008-6	8	6000	3000	22	26,5
803LBE0010020	LBE010-2	10	2000	1000	22	29
803LBE0010030	LBE010-3	10	3000	2000	22	29
803LBE0010040	LBE010-4	10	4000	2000	22	29
803LBE0010050	LBE010-5	10	5000	3000	22	29
803LBE0010060	LBE010-6	10	6000	3000	22	29
803LBE0015020	LBE015-2	15	2000	1000	34	34,5
803LBE0015030	LBE015-3	15	3000	2000	34	34,5
803LBE0015040	LBE015-4	15	4000	2000	34	34,5
803LBE0015050	LBE015-5	15	5000	3000	34	34,5
803LBE0015060	LBE015-6	15	6000	3000	34	34,5
803LBE0020020	LBE020-2	20	2000	1000	37	34,5
803LBE0020030	LBE020-3	20	3000	2000	37	34,5
803LBE0020040	LBE020-4	20	4000	2000	37	34,5
803LBE0020050	LBE020-5	20	5000	3000	37	34,5
803LBE0020060	LBE020-6	20	6000	3000	37	34,5

# LIFTING BEAMS CROSS BEAM

The cross-shaped lifting beams are the most suitable for handling “big-bags”.

The most recurrent and economical design of this model is a welded cross-shaped structure, with all sides equal, with a single top eye in the center and four hooks at the ends. All suspension elements are fixed.



**Multiple beams / Minimum height loss**

CODE	TYPE	WLL (t)	DIMENSIONS	
			L x L (mm)	G
803LBF001080	LBF001-09	1	800 x 800	25
803LBF001010	LBF001-10	1	1000 x 1000	25
803LBF001015	LBF001-15	1	1500 x 1500	25
803LBF0015008	LBF015-09	1,5	800 x 800	25
803LBF0015010	LBF015-10	1,5	1000 x 1000	25
803LBF0015015	LBF015-15	1,5	1500 x 1500	25
803LBF0020008	LBF020-09	2	800 x 800	25
803LBF0020010	LBF020-10	2	1000 x 1000	25
803LBF0020015	LBF020-15	2	1500 x 1500	25



\*Other dimensions can be manufactured on order

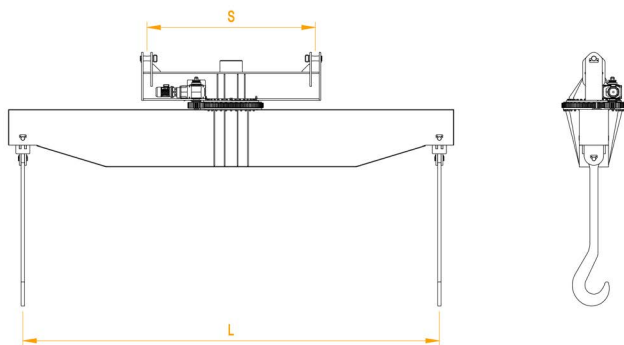


At OX Worldwide we have developed a new design of cross beam with super reduced height to solve the problems of some of our customers. It is a lifting beam with a welded structure in the shape of a cross, with all sides equal, with a simple top eye in the center, with the hooks screwed in the upper area of the structure, being able to be placed in the outermost area or more internal structure to regulate the height of the “big-bag”.

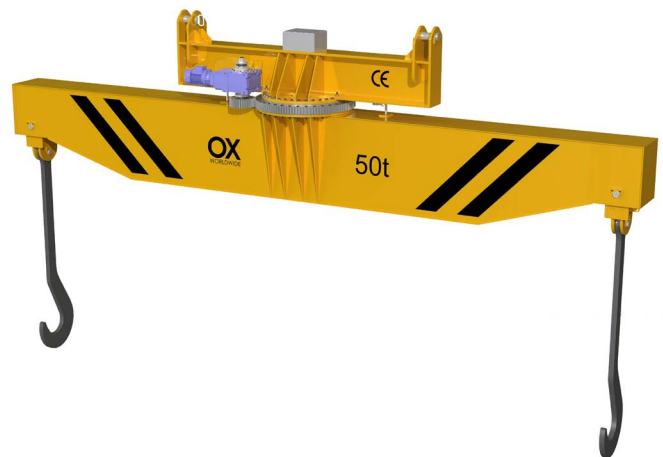
# LIFTING BEAMS SWIVEL SPREADER

The rotating lifting beams can be, in turn, fixed, adjustable, telescopic, simple or even H-shaped.

They consist of two welded structures: a tube or beam with the top suspension elements and another tube or beam with the elements that will grab the load. Between both parts a rotating crown is incorporated. The turn is motorized and you can include limit switches with predefined positions or infinite turns, weighing, load sensors, etc.



Generally this type of lifting beam is used with two cranes, because the movement is more stable, therefore, it must be supplied with two fixed top suspensions. In the case of having only one crane, the lifting beam with a central top suspension could be used, blocking the rotation of the crane.



- Multiple beams and/or box beam.  
\* Other dimensions can be manufactured on order.

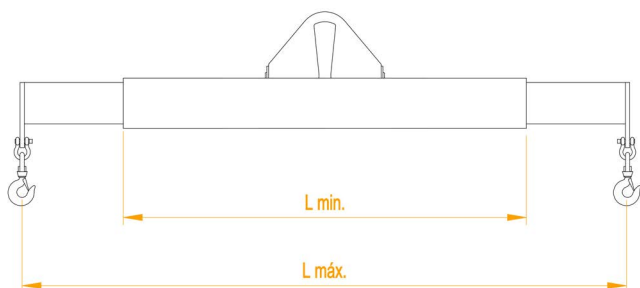
CODE	TYPE	WLL (t)	DIMENSIONS		ROTATION SPEED
			L	S	
803LBG0002020	LBG002-2	2	2	2	5
803LBG0002040	LBG002-4	2	4	2	2
803LBG0005020	LBG005-2	5	2	2	5
803LBG0005030	LBG005-3	5	3	2	4
803LBG0005040	LBG005-4	5	4	2	2
803LBG0010020	LBG010-2	10	2	2	5
803LBG0010030	LBG010-3	10	3	2	4
803LBG0010040	LBG010-4	10	4	2	2
803LBG0010050	LBG010-5	10	5	3	1
803LBG0015030	LBG015-3	15	3	2	2
803LBG0015040	LBG015-4	15	4	2	1
803LBG0015050	LBG015-5	15	5	3	1
803LBG0020030	LBG020-3	20	3	2	1
803LBG0020040	LBG020-4	20	4	3	1
803LBG0020050	LBG020-5	20	5	3	1
803LBG0030030	LBG030-3	30	3	3	1
803LBG0030040	LBG030-4	30	4	3	1
803LBG0030050	LBG030-5	30	5	3	1
803LBG0050030	LBG050-3	50	3	3	1
803LBG0050040	LBG050-4	50	4	3	1
803LBG0050050	LBG050-5	50	5	3	1



# LIFTING BEAMS TELESCOPIC BEAM

The telescopic lifting beams are extensible and adjustable. That is, its volume changes depending on the useful span needed.

These lifting beams are composed of two parts: a central tube and two lateral tubes that move inside the central tube to modify the length. The movement of the side tubes can be done manually or through motorized spindles. Before each lift, you must set the useful length and check that the center of gravity is aligned with the top eye.



The upper and lower suspension elements can be placed both in the central tube and in the side tubes of smaller section. Even so, the most usual configuration of this model is with a top eye on the central tube and two bottom eyes fixed on the ends of the lateral tubes, with several fixing points on the length of the tubes.



CODE	TYPE	WLL (t)	DIMENSIONS	
			L max	L min
803LBH0001020	LBH001-2	1	2000	500
803LBH0001030	LBH001-3	1	3000	2000
803LBH0001040	LBH001-4	1	4000	2500
803LBH0001050	LBH001-5	1	5000	3000
803LBH0003020	LBH003-2	3	2000	1500
803LBH0003030	LBH003-3	3	3000	2000
803LBH0003040	LBH003-4	3	4000	2500
803LBH0003050	LBH003-5	3	5000	3000
803LBH0003060	LBH003-6	3	6000	3500
803LBH0005020	LBH005-2	5	2000	1500
803LBH0005030	LBH005-3	5	3000	2000
803LBH0005040	LBH005-4	5	4000	2500
803LBH0005050	LBH005-5	5	5000	3000
803LBH0005060	LBH005-6	5	6000	3500
803LBH0008020	LBH008-2	8	2000	1500
803LBH0008030	LBH008-3	8	3000	2000
803LBH0008040	LBH008-4	8	4000	2500

CODE	TYPE	WLL (t)	DIMENSIONS	
			L max	L min
803LBH0008050	LBH008-5	8	5000	3000
803LBH0008060	LBH008-6	8	6000	3500
803LBH0010020	LBH010-2	10	2000	1500
803LBH0010030	LBH010-3	10	3000	2000
803LBH0010040	LBH010-4	10	4000	2500
803LBH0010050	LBH010-5	10	5000	3000
803LBH0010060	LBH010-6	10	6000	3500
803LBH0015020	LBH015-2	15	2000	1500
803LBH0015030	LBH015-3	15	3000	2000
803LBH0015040	LBH015-4	15	4000	2500
803LBH0015050	LBH015-5	15	5000	3000
803LBH0015060	LBH015-6	15	6000	3500
803LBH0020020	LBH020-2	20	2000	1500
803LBH0020030	LBH020-3	20	3000	2000
803LBH0020040	LBH020-4	20	4000	2500
803LBH0020050	LBH020-5	20	5000	3000
803LBH0020060	LBH020-6	20	6000	3500



LIFTING BEAMS  
**OTHER**  
BEAMS

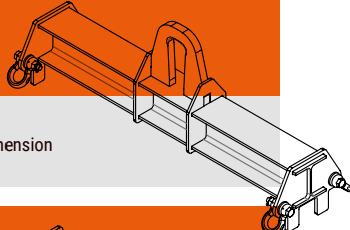
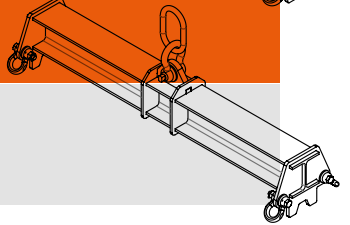
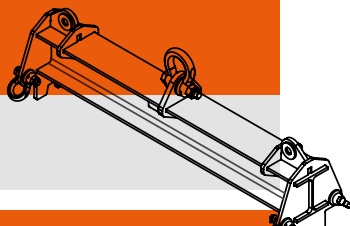
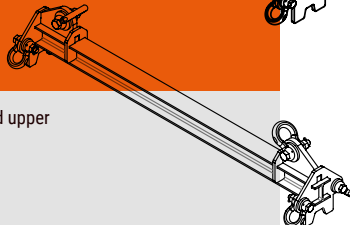
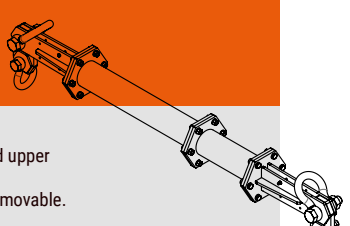


# LIFTING BEAMS SPREADER CONTAINERS

At OX Worldwide, we manufacture lifting tools for the maritime sector.

Maritime containers can be moved from the top, with rectangular lifting beams that have twistlocks in each corner. The result is a structure as large as the container to be handled.

The less bulky and more economical option is to use a fixed lifting beam, with a single beam structure, with the width of the container. In the lower suspension elements four chains are placed with lateral twistlock at the ends to go to find the base of the container. The same lifting beam is used to handle containers of 20', 40' and 40' HC.

CODE	TYPE	DESCRIPTION	WLL (t)	LENGTH	CHARACTERISTICS	
803LBA0032CTC	LBA032-CTC	Lifting beam with upper simple eye for crane hook	32,5	2500	Minimum height loss. Unalterable simple eye dimension	
CODE	TYPE	DESCRIPTION	WLL (t)	LENGTH	CHARACTERISTICS	
803LBA0032CTA	LBA032-CTA	Lifting beam with two options of upper lifting point: simple eye for shackle and masterlink and eyes for an upper 2-legs slings	35	2500	Maximum versatility: crane and useful height	
CODE	TYPE	DESCRIPTION	WLL (t)	LENGTH	CHARACTERISTICS	
803LBA0035CTB	LBA-CTB	Lifting beam with upper simple eye for shackle and masterlink	32,5		Minimum height loss. Crane versatility.	
CODE	TYPE	DESCRIPTION	WLL (t)	LENGTH	CHARACTERISTICS	
803LBA0032CTO	LBA032-CTC	Lifting beam for upper 2-legs sling	32,5	2500	It requires more height and upper 2-legs sling. Lighter lifting beam. Crane versatility.	
CODE	TYPE	DESCRIPTION	WLL (t)	LENGTH	CHARACTERISTICS	
80220034	OX-SB 0034	OX Spreader beam	34	2500	Modular lifting beam. It requires more height and upper 2-legs sling. Lighter lifting beam and removable. Crane versatility.	

LIFTING BEAMS  
**SPECIAL**  
 BEAMS

**BEAM FOR  
 HUGE LOADS**

We manufacture beams for huge loads that cannot be handled with standard structures.



**BEAMS  
 ACCESSORIES**



Small holder.  
 Less than 100 mm  
 width beams.



Medium holder.  
 Less than 350 mm  
 width beams.



Big holder.  
 Less than 650 mm  
 width beams.



## CUSTOMIZED BEAMS

We adapt to every client to offer a customized beam that properly satisfy their needs.



## GROUP OF BEAMS

We study and design groups of beams for lifting in a balanced way loads with irregular shapes.

